

# SUCTION CUPS / Single Bellow & Direct Fitting

## VB50M

### Features and Strengths

Suitable for smaller objects  
Compensating for a difference in level  
Various materials for a wide range of applications

### Examples of use

Cardboards, Veneer Sheets, Packaging Materials,  
Plastic Sheets, Thin Film Sheets



### Recommended Lifting Force (Max.)

Model	Volume (cm <sup>3</sup> )	Lifting Force (Kg) - Perpendicular		
		- 20 kPa	- 60 kPa	- 90 kPa
VB50M	32.00	3.20	7.90	10.50

※ The lifting force above does not include safety factor

### Material Specifications

Material	Hardness Shore (°)	Color	Temperature (°C)
NBR	60	Black	-20~110
Silicone	55	Red	-70~200
White Silicone	55	Translucent White	-70~200
White Silicone (FDA)	55	Translucent White	-70~200
High temp. Silicone	50	Blue	-70~280
Conductive Silicone	70	Smoky Black	-45~90
Urethane	60	Dark Green	0~100
Mark Free	75	Black	-10~100
Polyurethane	60	Translucent Orange	0~60

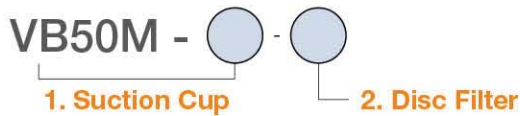
※ For additional material, see page 32~33

### Material Resistance

Description	NBR	Silicone	White Silicone	High temp. Silicone	Conductive Silicone	Urethane	Mark Free	Polyurethane
Wear Resistance	Excellent	Good	Good	Good	Good	Excellent	Good	Excellent
Oil	Excellent	Poor	Poor	Poor	Poor	Excellent	Excellent	Excellent
Weather / Ozone	Fair	Excellent	Excellent	Excellent	Excellent	Excellent	Excellent	Excellent
Alcohol	Good	Good	Good	Good	Good	Fair	Good	Fair
Acid	Fair	Poor	Poor	Poor	Poor	Poor	Excellent	Fair



## I Build an Ordering No.



1. Suction cup	Description	Symbol
	Single-bellow suction cup, 50mm diameter, Nitrile (NBR)	VB50M-N
	Single-bellow suction cup, 50mm diameter, Silicone	VB50M-S
	Single-bellow suction cup, 50mm diameter, White 	VB50M-WS
	Single-bellow suction cup, 50mm diameter, White silicone (FDA)	VB50M-WS(FDA)
	Single-bellow suction cup, 50mm diameter, High temperature silicone	VB50M-HS
	Single-bellow suction cup, 50mm diameter, Conductive silicone	VB50M-CS
	Single-bellow suction cup, 50mm diameter, Urethane	VB50M-U
	Single-bellow suction cup, 50mm diameter, Mark free	VB50M-A
	Single-bellow suction cup, 50mm diameter, Polyurethane	VB50M-PU

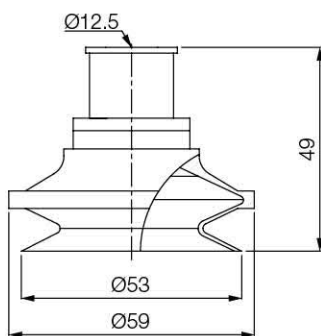
  

2. Disc Filter	Description	Symbol
	No disc filter	Blank
	Disc filter, Polyethylene	F

## I Spare Parts – Rubber Parts

Part No.	Description	Weight (g)	Color
VB50M-N	Single-bellow suction cup, 50mm diameter, Nitrile (NBR)	28.17	Black
VB50M-S	Single-bellow suction cup, 50mm diameter, Silicone	24.25	Red
VB50M-WS	Single-bellow suction cup, 50mm diameter, White silicone	24.03	Translucent White
VB50M-WS(FDA)	Single-bellow suction cup, 50mm diameter, White silicone (FDA)	24.03	Translucent White
VB50M-HS	Single-bellow suction cup, 50mm diameter, High temperature silicone	24.28	Blue
VB50M-CS	Single-bellow suction cup, 50mm diameter, Conductive silicone	24.30	Smoky Black
VB50M-U	Single-bellow suction cup, 50mm diameter, Urethane	27.36	Dark Green
VB50M-A	Single-bellow suction cup, 50mm diameter, Mark free	32.76	Black
VB50M-PU	Single-bellow suction cup, 50mm diameter, Polyurethane	25.57	Translucent Orange

[ Unit : mm ]



[ Rubber part ]

## I Spare Parts – Disc Filter

Part No.	Description	Weight (g)
VTFE-B50	Disc filter, Polyethylene	1.64