

# VMECA VACUUM CARTRIDGE

## VC203

### Features and Strengths

- Three stage – VMECA mini cartridge
- High vacuum level (-90 kPa) at low air pressure
- Efficient air consumption with high vacuum level and vacuum flow
- International patent
- Reliable performance despite inconsistent compressed air pressure



### Specifications

Description	VC203
Max. Vacuum level	-90 kPa
Open Vacuum flow	85.8 NI/min
Max. Feed pressure	7 bar
Temperature	-20 ~ 80 °C
Material	PPS, POM, NBR, AL(Holding plug)
Weight	5.45 g

### Vacuum Flow

Model	Max. vacuum (-kPa)	Feed Pressure (bar)	Vacuum flow (NI/min) at different vacuum levels (-kPa)									
			0	10	20	30	40	50	60	70	80	90
VC203	50	1.7	5.6	25.4	12.8	8.3	4	-	-	-	-	-
	65	2.2	67.2	29.5	17	11.5	8	5.2	1.4	-	-	-
	90	3.14	85.6	36.9	26	15.8	11	8.9	6.6	3.9	2	-
	85	4	85.8	42.7	31	23	14.1	7.6	6.4	3.9	1.3	-

### Evacuation Time

Model	Feed Pressure (bar)	Air Consumption (NI/min)	Evacuation time in sec / liter to reach different vacuum levels (-kPa)								
			10	20	30	40	50	60	70	80	90
VC203	1.7	17	0.12	0.49	1.2	2.4	-	-	-	-	-
	2.2	20	0.08	0.38	0.8	1.47	1.9	2.4	-	-	-
	3.14	26	0.06	0.28	0.52	1.4	1.4	2	3.2	6	-
	4	32	0.075	0.26	0.49	0.8	1	1.8	3	6.8	-

### Build an Ordering No.

1. Cartridge	Description	Ordering No.
	Mini vacuum cartridge, 3-stage	VC203
	Mini vacuum cartridge, 3-stage, Non-return valve	VC203-N
	Mini vacuum cartridge, 3-stage, M14 Two-fold silencer	VC203S
	Mini vacuum cartridge, 3-stage, M14 Two-fold silencer, Non-return valve	VC203S-N
	Mini vacuum cartridge, 3-stage, M15 Direct silencer	VC203DS
	Mini vacuum cartridge, 3-stage, M15 Direct silencer, Non-return valve	VC203DS-N
	Mini vacuum cartridge, 3-stage, M15 Two-fold silencer	VC203LS
	Mini vacuum cartridge, 3-stage, M15 Two-fold silencer, Non-return valve	VC203LS-N
	Mini vacuum cartridge, 3-stage with vacuum filter, M16 silencer	VC203FS1
	Mini vacuum cartridge, 3-stage with vacuum filter, M16 silencer, Non-return valve	VC203FS1-N

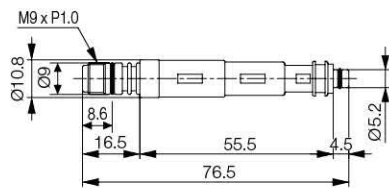


## Spare Parts – Plug & Silencer

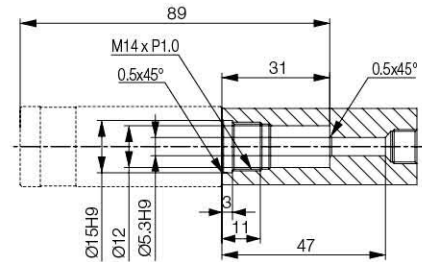
Part No.	Description	Weight (g)
VTS-M15	M15 Direct silencer	11.79
VTTS-M14	M14 Two-fold silencer	18.38
VTTS-M15	M15 Two-fold silencer	15.3
VTS-M16-203	M16 silencer	6.62

## Dimension - Basic Pump

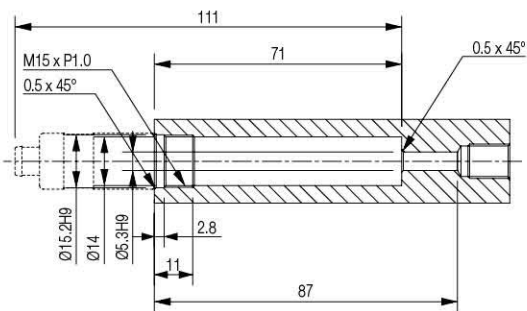
[ Unit : mm ]



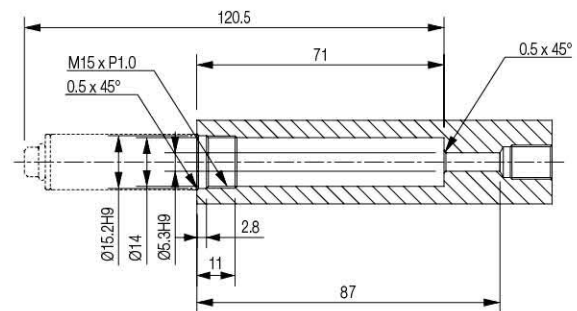
VC203



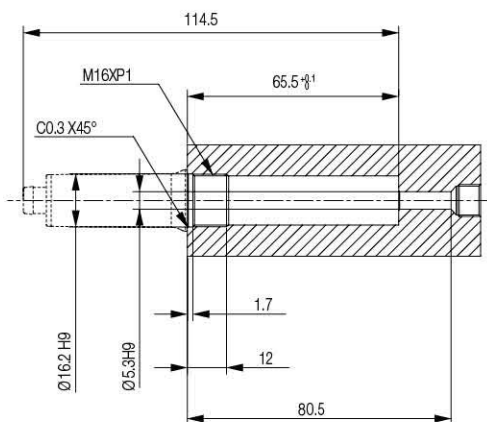
VC203S



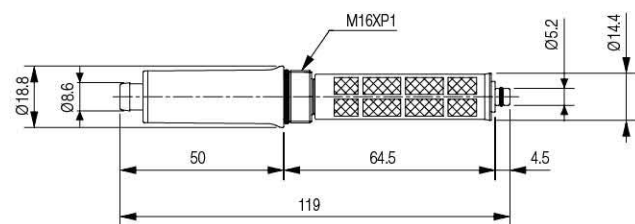
VC203DS



VC203LS



VC203



VC203FS1

