

VACUUM PUMPS / Turtle pumps – Midi series

VTC3021 / VTCL3021

Features and Strengths

- Highly operational reliability despite fluctuating or low compressed-air pressure
- Integrated pleated filter with high dirt capacity & Auto-cleaning system
- Optional Air-Saving Kit available to minimize energy consumption
- Quick response time
- Patented design



Specifications

Description	VTC3021	VTCL3021
Max. Vacuum level	-92 kPa	-75 kPa
Open Vacuum flow	171 NI/min	200 NI/min
Max. Feed pressure	7 bar	7 bar
Temperature	-20 ~ 80 °C	-20 ~ 80 °C
Noise level	50 ~ 60 dbA	50 ~ 60 dbA
Weight	317 g	316 g

Vacuum Flow

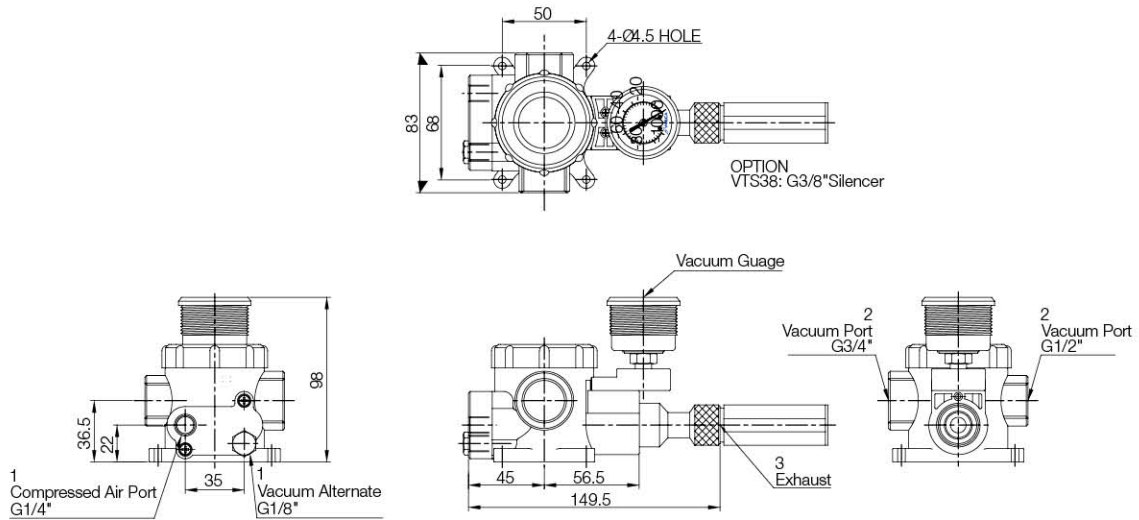
Model	Max. vacuum (-kPa)	Feed Pressure (bar)	Vacuum flow (NI/min) at different vacuum levels (-kPa)									
			0	10	20	30	40	50	60	70	80	90
VTC3021	75	2.2	164	122.5	88	53	31.4	28.5	16.5	4.6	-	-
	92	3.0	170	152	106	64	33	32	22	16.5	6.4	1.9
	92	4.0	171	154	127.5	94	69	43	23.3	17.3	6.9	2.1
VTCL3021	60	4.0	188	158	110	70	46	28	6.8	-	-	-
	70	5.0	195	176	130	82	50	37.5	23	11.3	-	-
	75	6.0	200	183	154	100	52	38	32	22	-	-

Evacuation Time

Model	Feed Pressure (bar)	Air Consumption (NI/min)	Evacuation time in sec / liter to reach different vacuum levels (-kPa)									
			10	20	30	40	50	60	70	80	90	
VTC3021	2.2	97	0.03	0.12	0.21	0.38	0.47	0.73	1.62	-	-	
	3.0	118	0.027	0.1	0.19	0.3	0.4	0.64	0.8	1.2	3.8	
	4.0	152	0.026	0.058	0.09	0.1	0.25	0.5	0.69	1.05	3.5	
VTCL3021	4.0	70	0.035	0.009	0.17	0.29	0.38	0.85	-	-	-	
	5.0	85	0.027	0.088	0.15	0.25	0.3	0.4	0.82	-	-	
	6.0	104	0.028	0.08	0.12	0.2	0.28	0.36	0.63	-	-	

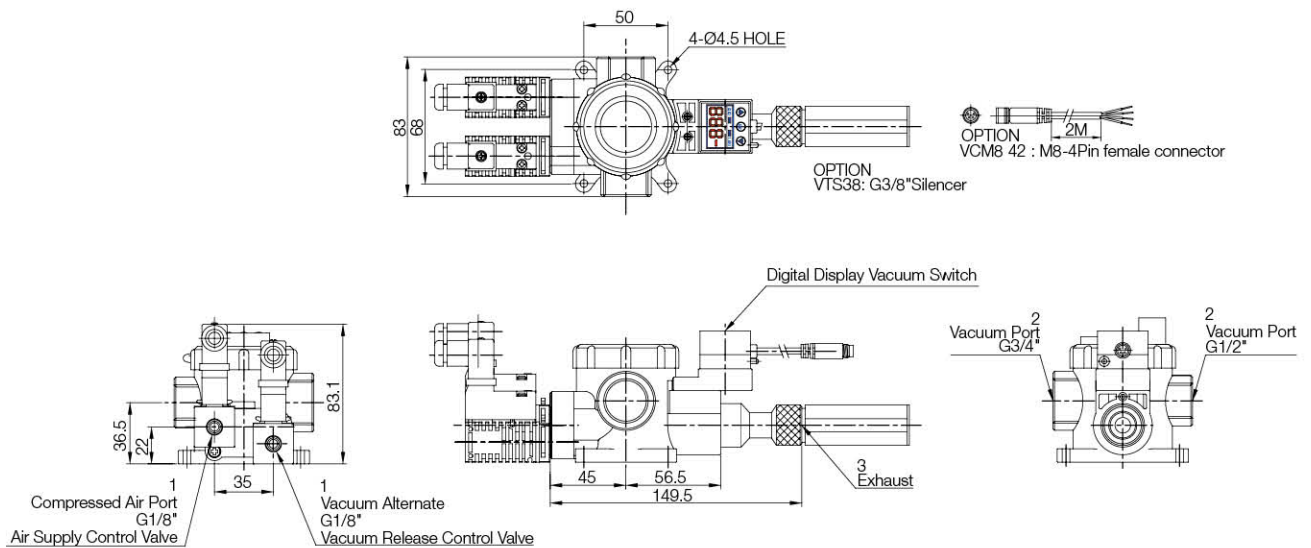
Dimension – Basic Pump

[Unit : mm]



Dimensions – with Accessories

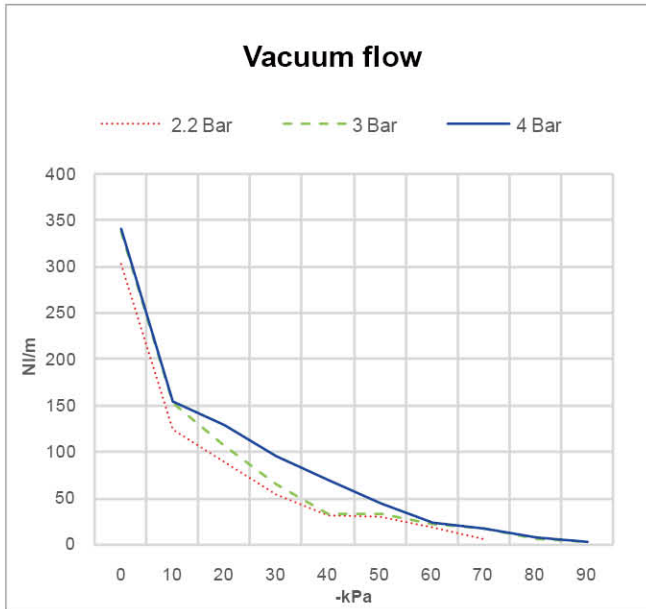
[Unit : mm]



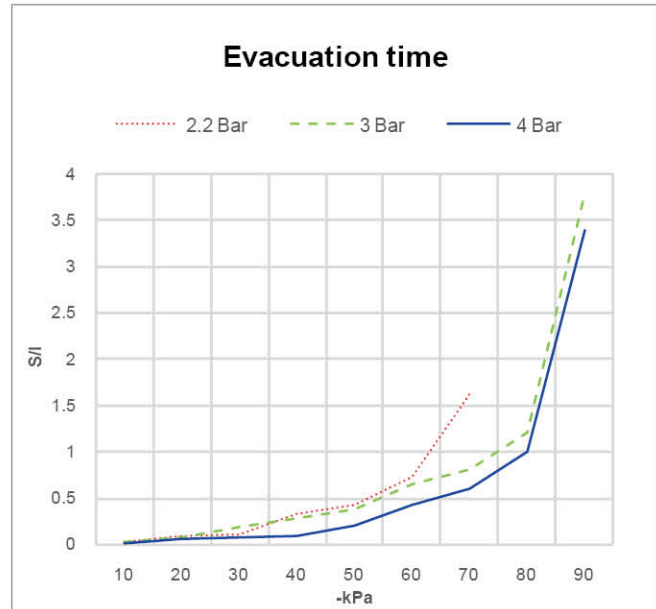
VACUUM PUMPS / Turtle pumps – Midi series

Performance data

VTC3031

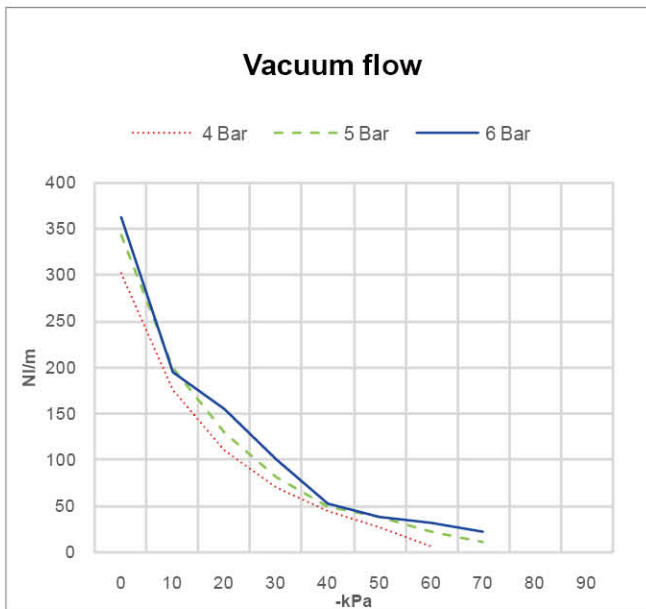


※ Vacuum flow at different vacuum level

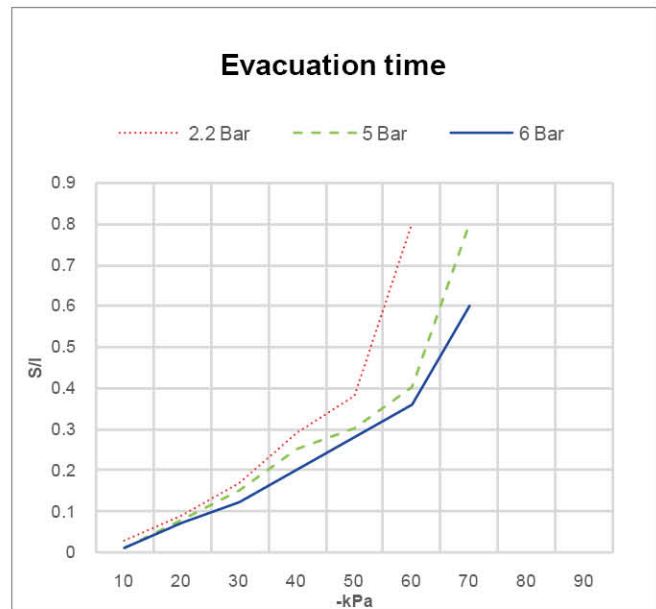


※ Time to evacuate a volume at different vacuum level

VTCL3031



※ Vacuum flow at different vacuum level

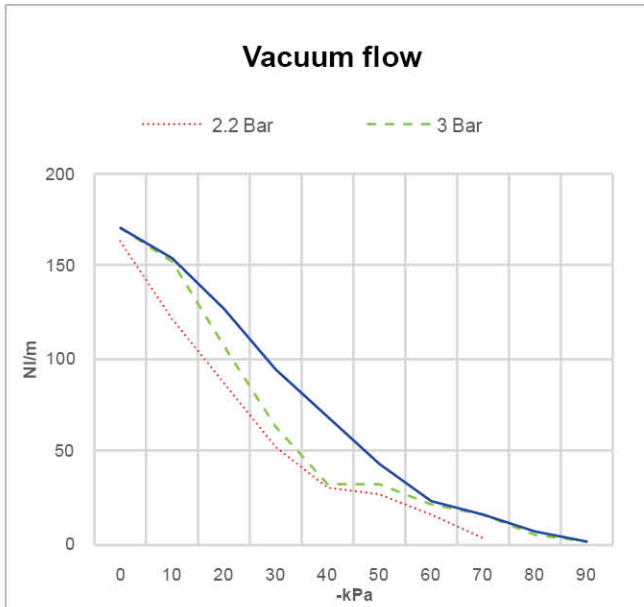


※ Time to evacuate a volume at different vacuum level

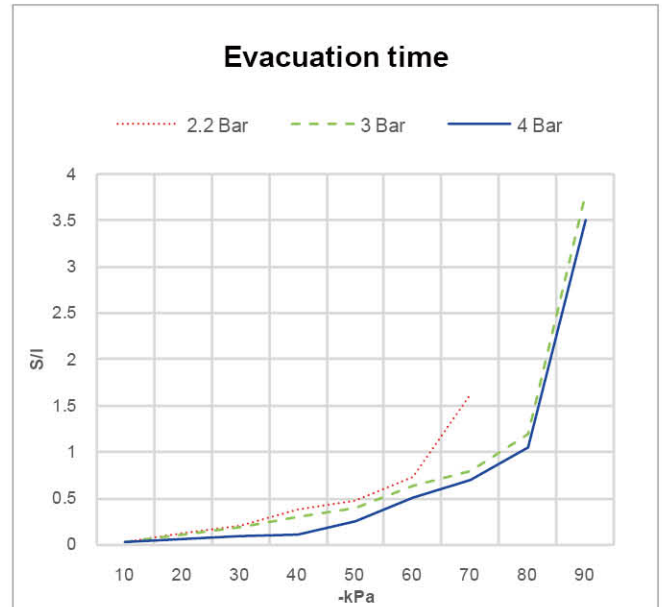


Performance data

VTC3021

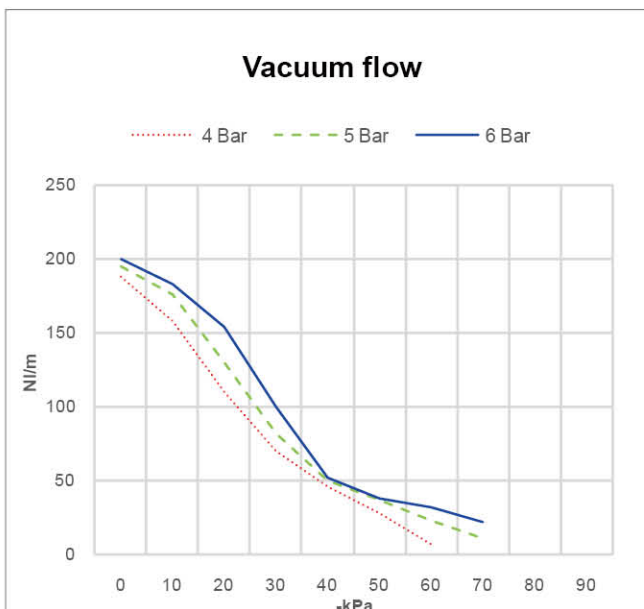


※ Vacuum flow at different vacuum level

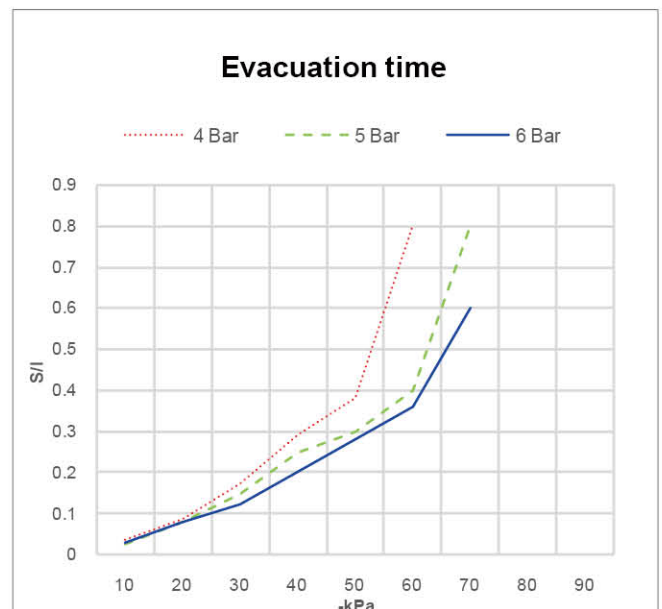


※ Time to evacuate a volume at different vacuum level

VTCL3021



※ Vacuum flow at different vacuum level



※ Time to evacuate a volume at different vacuum level

