

## Series T-30

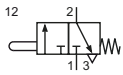
### Technical details

<b>Connection</b>	M5
<b>Temperature range</b>	-10°C ... +70°C
<b>Medium</b>	Filtered, oil-free and dried compressed air according to ISO 8573-1:2010, Class 7:2:4, instrument air, free of aggressive additives. Alternatively the pressure dew point must be at least 10°C below lowest occurring ambient temperature.
<b>Materials</b>	Body: Al (anodized), seals: NBR, inner parts: stainless steel and brass, stem: stainless steel
	Valves in accordance with 2014/34/EU (ATEX) available. (Chapter 13)

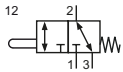


Mechanically operated seat valve (T-30-310) or spool valve (T-30-510) including mounting adapter for actuator mount.

### 3/2-way-Valves

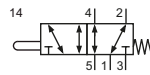


**T-30-310**  
3/2-way, mechanical spring return, stem operated



**T-30-310-ATEX**  
3/2-way, mechanical spring return, stem operated

### 5/2-way-Valves



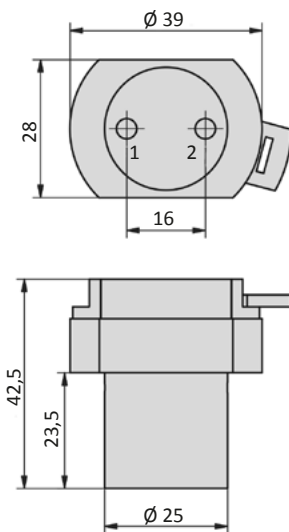
**T-30-510**  
5/2-way, mechanical spring return, stem operated

### Technical data

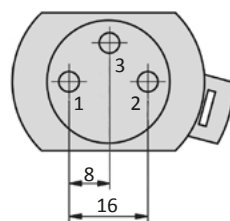
Model-no.:	T-30-310	T-30-510
<b>Operating pressure (bar)</b>	0 ... 12	0 ... 12
<b>Flow rate (l/min)</b>	80	100
<b>Nominal size (mm)</b>	2	2.4
<b>Actuating force at 6 bar (N)</b>	10	21
<b>Actuation stroke (mm)</b>	4	4
<b>Weight (kg)</b>	0.052	0.076

### Dimensions

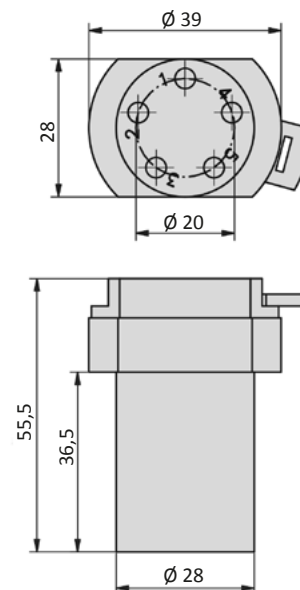
#### T-30-310



#### T-30-310-ATEX



#### T-30-510



- 1 = pressure inlet
- 2,4 = outlets
- 3,5 = exhausts