

Technical details

Operating pressure	1 ... 10 bar
Temperature range	-30°C ... +80°C (0 ... +150°C for high temperature version)
Medium	Filtered, oil-free and dried compressed air according to ISO 8573-1:2010, Class 7:2:4, instrument air, free of aggressive additives. Alternatively the pressure dew point must be at least 10°C below lowest occurring ambient temperature.
Materials	Cylinder tube: AISI 304 (1.4301) End caps: AISI 304 (1.4301) Piston rod: AISI 316 (1.4401) Seals: PU (optional FKM)
	Cylinders in accordance with 2014/34/EU (ATEX) available. (Chapter 13)

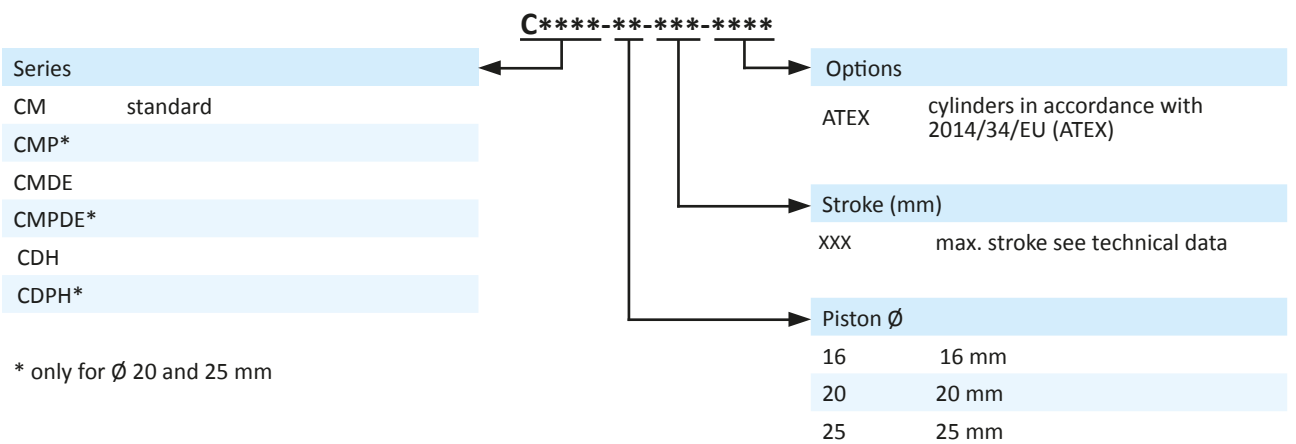


Double acting pneumatic cylinder with magnetic piston and built-in cushioning rings.

Versions

	CM double acting, with magnetic piston		CMDE double acting, double end piston rod, with magnetic piston
	CMP double acting, adjustable cushioning, with magnetic piston		CMPDE double acting, double end piston rod, adjustable cushioning, with magnetic piston
	CDH double acting, high temperature version		
	CDHP double acting, adjustable cushioning, high temperature version		

Order code



Series CM

Mini cylinders ISO 6432, double acting

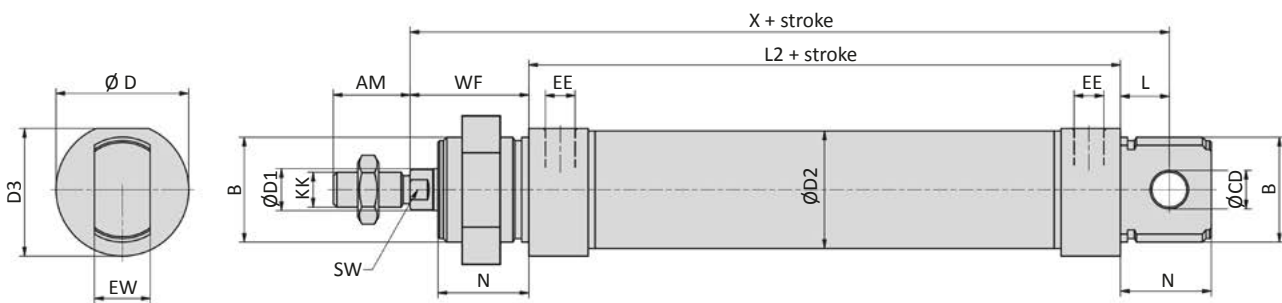


Technical data

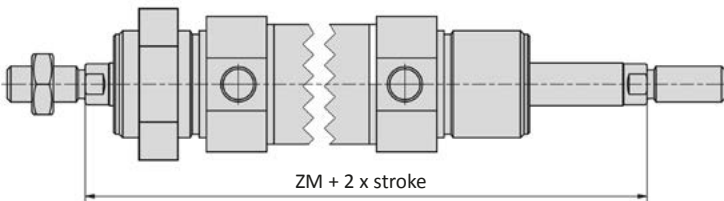
Model-no.:	Cxx-16-...	Cxx-20-...	Cxx-25-...
Piston Ø (mm)	16	20	25
Force at 6 bar (N)	Extension	109	170
	Retraction	93	142
Connection	M5	G1/8	G1/8
Piston rod thread	M6	M8	M10 x 1.25
Max. stroke (mm)	250	600	600
Cushioning length (mm)*	15.5	17	19.5

* only for series CMP, CMPDE, CDHP

Dimensions series CM, CMP, CDH, CDHP



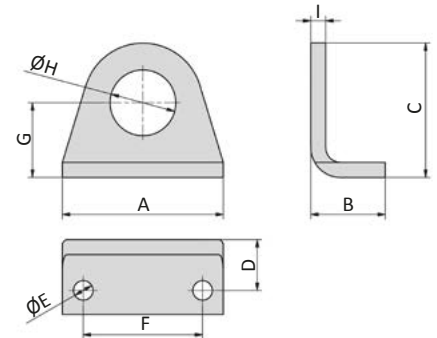
double end piston rod



Piston Ø	AM	B	Ø CD	Ø D	Ø D1	Ø D2	D3	EE
16	16	M16 x 1.5	6	19	6	17.27	18	M5
20	20	M22 x 1.5	8	27	8	21.27	25.5	G1/8
25	22	M22 x 1.5	8	30	10	26.5	28.5	G1/8

Piston Ø	EW	KK	L	L2	N	SW	WF	X	ZM
16	12	M6	9	53	18	5	22	82	97
20	16	M8	12	67	20	7	24	95	115
25	16	M10 x 1.25	12	68	22	9	28	104	124

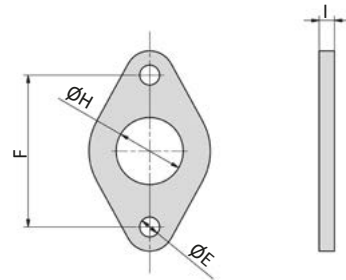
PA-xx Foot mount



Model-no.:	for cylinder \varnothing	A	B	C	D	$\varnothing E$	F	G	$\varnothing H$	I
PA-16	16	42	20	33	14	5.5	32	20	16.1	4
PA-25	20, 25	54	25	45	17	6.6	40	25	22.1	5

Material: stainless steel AISI 304 (1.4301)

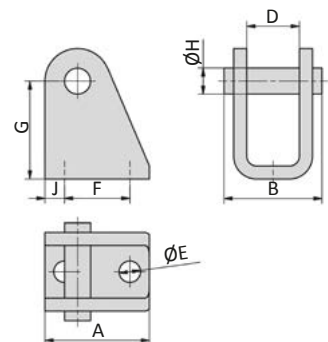
PB-xx Flange mount



Model-no.:	for cylinder \varnothing	$\varnothing E$	F	$\varnothing H$	I
PB-16	16	5.5	40	16.1	4
PB-25	20, 25	6.6	50	22.1	5

Material: stainless steel AISI 304 (1.4301)

PC-xx Clevis mount



Model-no.:	for cylinder \varnothing	A	B	D	$\varnothing E$	F	G	$\varnothing H$	J
PC-16	16	25	24	12.1	5.5	15	27	6	5
PC-25	20, 25	32	30	16.1	6.6	20	30	8	6

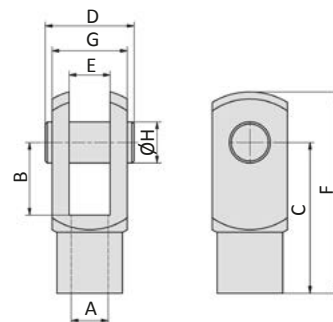
Material: stainless steel AISI 304 (1.4301), 2 snap rings are included.



Series CM Mounting accessories



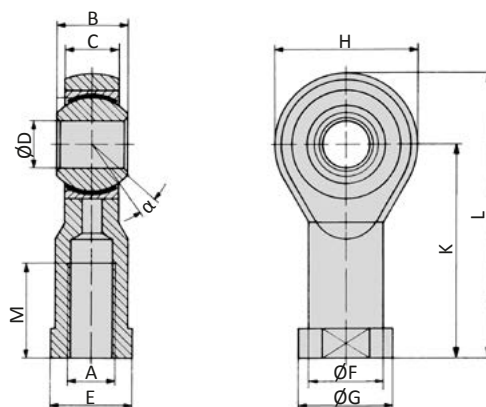
PD-xx Rod clevis



Model-no.:	for cylinder Ø	A	B	C	D	E	F	G	Ø H
PD-16	16	M6	12	24	16	6	31	12	6
PD-20	20	M8	16	32	22	8	42	16	8
PD-25	25	M10 x 1.25	20	40	26	10	52	20	10

Material: stainless steel AISI 303 (1.4305)

PO-xx Rod eye



Model-no.:	for cylinder Ø	A	B	C	Ø D	E	Ø F	Ø G	H	K	L	M	α
PO-16	16	M6	9	6.75	6	11	10	13	20	30	40	12	13°
PO-20	20	M8	12	9	8	14	12.5	16	24	36	48	16	14°
PO-25	25	M10 x 1.25	14	10.5	10	17	15	19	28	43	57	20	13°

Materials: stainless steel AISI 331 (1.4057), bearing stainless steel AISI 316 Ti, PTFE coated, bushing stainless steel AISI 420 (1.4034)

Proximity sensors

