



Technical Data Sheet

Type 39

2/2-Way Solenoid valve
 NC - Valve non energized closed (Standard)

Force-pilot operated solenoid valve with plastic housing
 Valve closed by spring power (Standard - NC)

■ Solenoid valve for air & water, neutral and clean



Type 39

TECHNICAL SPECIFICATIONS

| | |
|-----------------------|---|
| Type of control: | Force-pilot, no differential pressure necessary |
| Design: | Diaphragm |
| Connection: | Threaded G1/2 and G3/4 acc. to DIN ISO 228 (BSP) |
| Installation: | Preferable with actuator upright |
| Pressure range: | 0 - 6 bar |
| Medium: | Air, water, neutral and clean |
| Viscosity: | 20 mm ² /h |
| Temperature range: | Medium 0 °C up to +40 °C Ambient 0 °C up to +40 °C |
| Body material: | PA66 |
| Metallic inner parts: | Stainless steel |
| Seal: | NBR |
| Supply voltage: | AC~ 24V, 110V, 230V DC= 12V, 24V |
| Voltage tolerance: | -10% / +10% |
| Power consumption: | .012 = 18,5 Watt |
| Protection class: | IP65 acc. to DIN EN 60529 |
| Duty factor: | 100% ED-VDE 0580 |
| Connection type: | Plug |

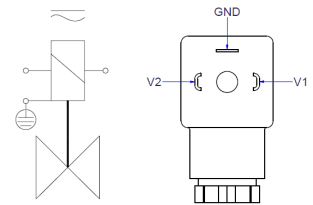
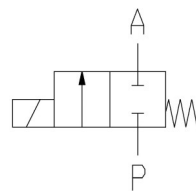
VALVE FEATURES

- For elementary applications (water & air)
- No pressure difference necessary
- Simple and easy valve design
- Lightweight plastic housing

FUNCTION

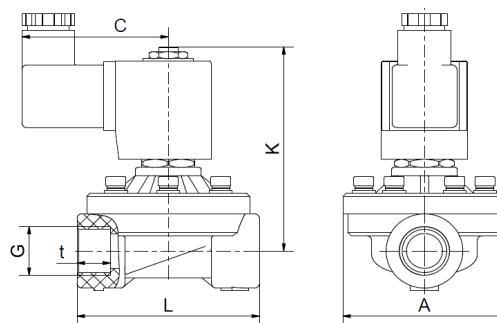
NC - non energized closed

Electr. connection



ORDERING CODE

| | |
|--------------------------------------|----------|
| Type | Coil |
| . 3 9 2 3 / 3 0 0 1 / . 0 1 2 | |
| Connection | Material |
| 23 G 1/2 | 30 PA66 |
| 24 G 3/4 | |
| Seal element | |
| 01 NBR | |



| G | Orifice mm | Kv-value m ³ /h | Type | max. Pressure | Dimensions [mm] | | | | | |
|-----|------------|----------------------------|-----------------|---------------|-----------------|----|----|----|----|------|
| | | | | | A | C | K | L | t | kg |
| 1/2 | 15 | 3,0 | .3923/3001/.012 | 0 - 6 bar | 68 | 61 | 88 | 76 | 14 | 0,52 |
| 3/4 | 20 | 4,0 | .3924/3001/.012 | 0 - 6 bar | 68 | 61 | 90 | 80 | 15 | 0,54 |

- The GSR logo is a registered trademark of GSR Ventiltechnik GmbH & Co. KG.
- Note: All texts and images are the property of GSR Ventiltechnik GmbH & Co. KG and must not be replicated or modified, not even in part, without written approval.
- Original products may differ from the product images shown, due to different materials and the like.