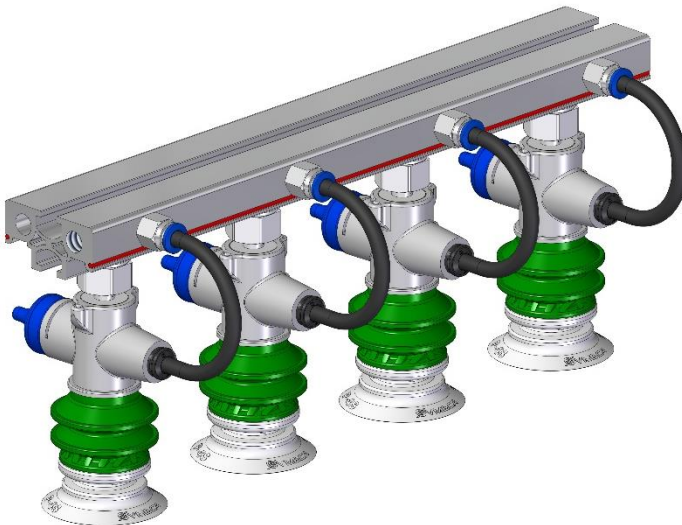
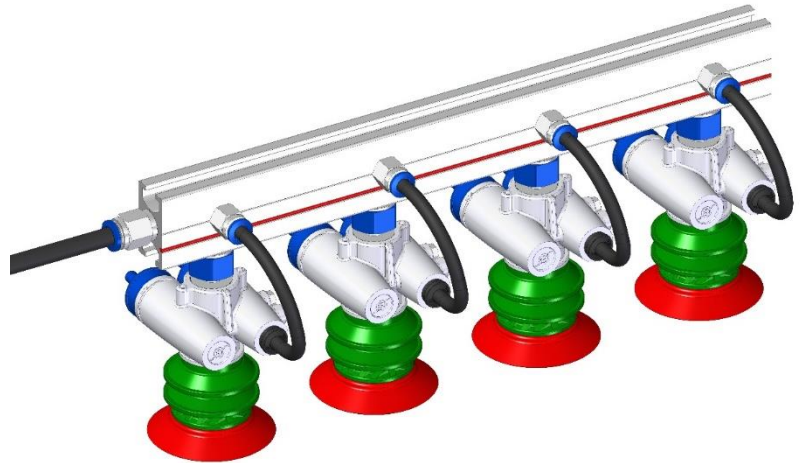
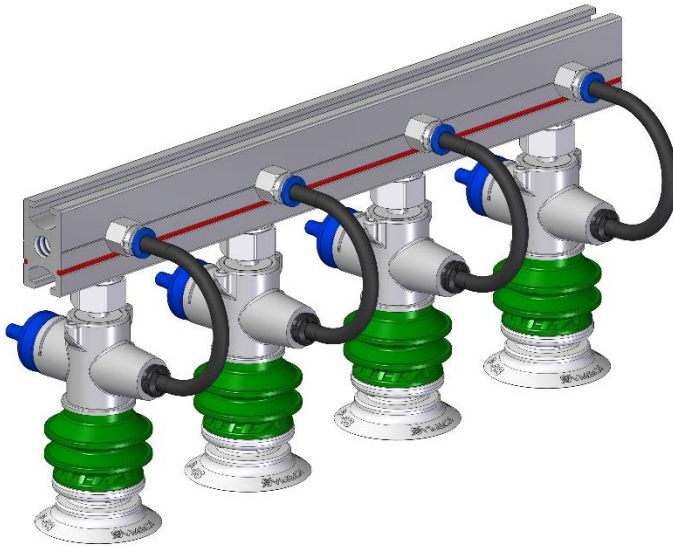
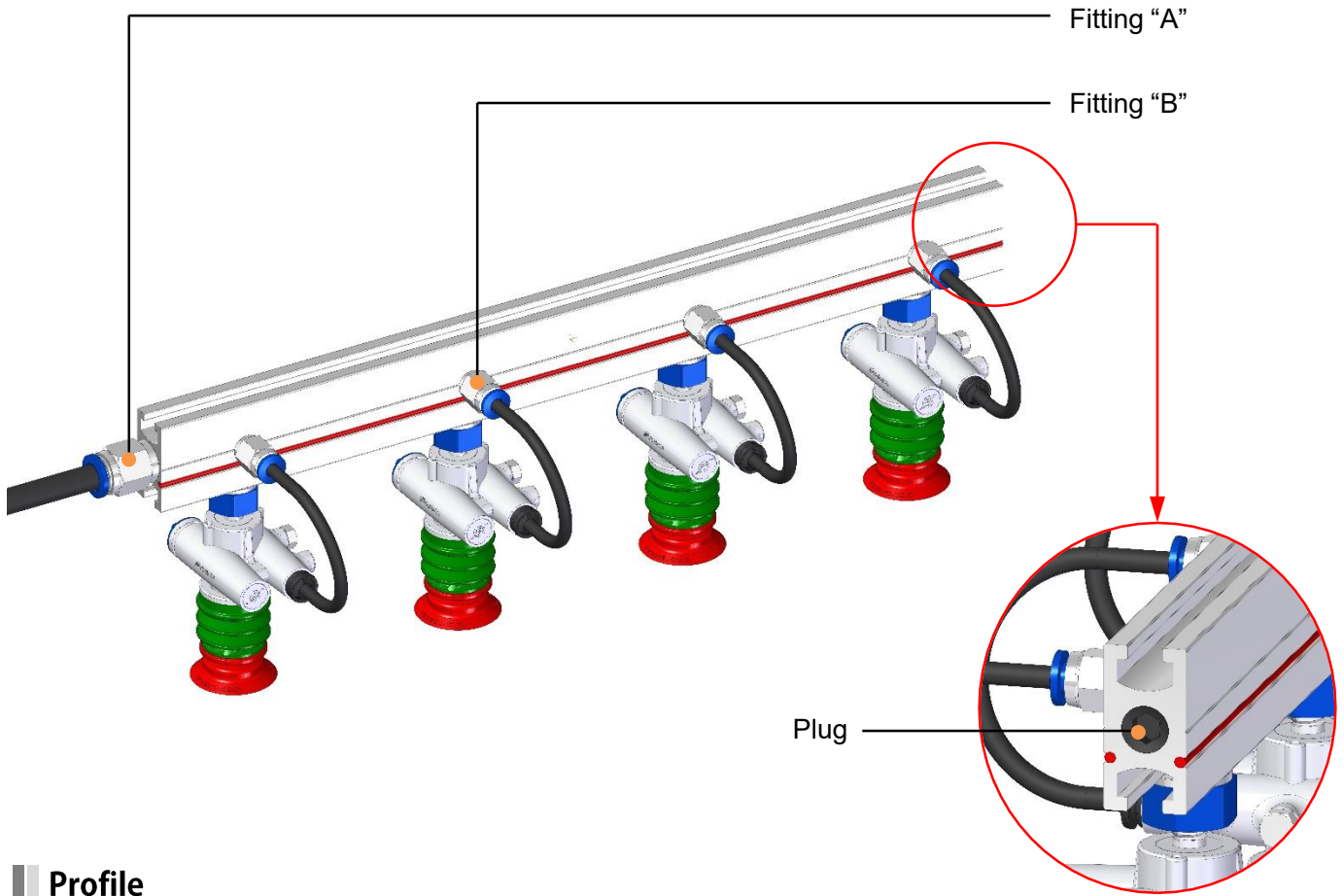




# Magic Gripper Tooling Profile



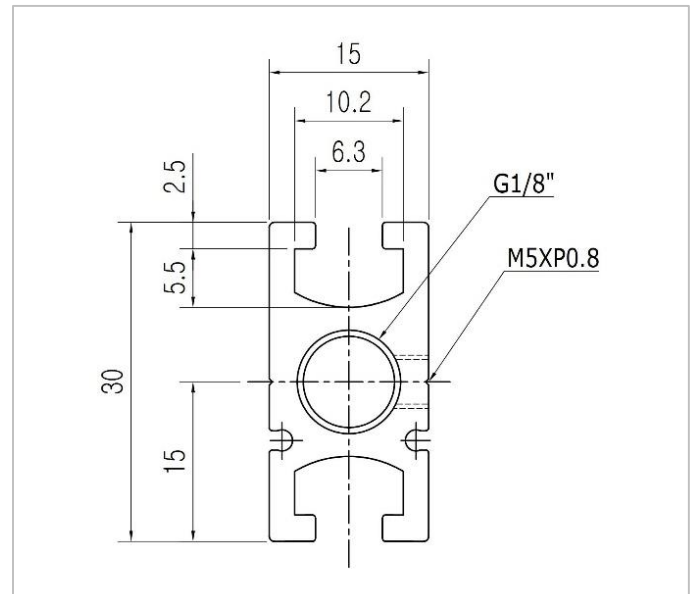
## T-slotted aluminum single profile – TS06 series



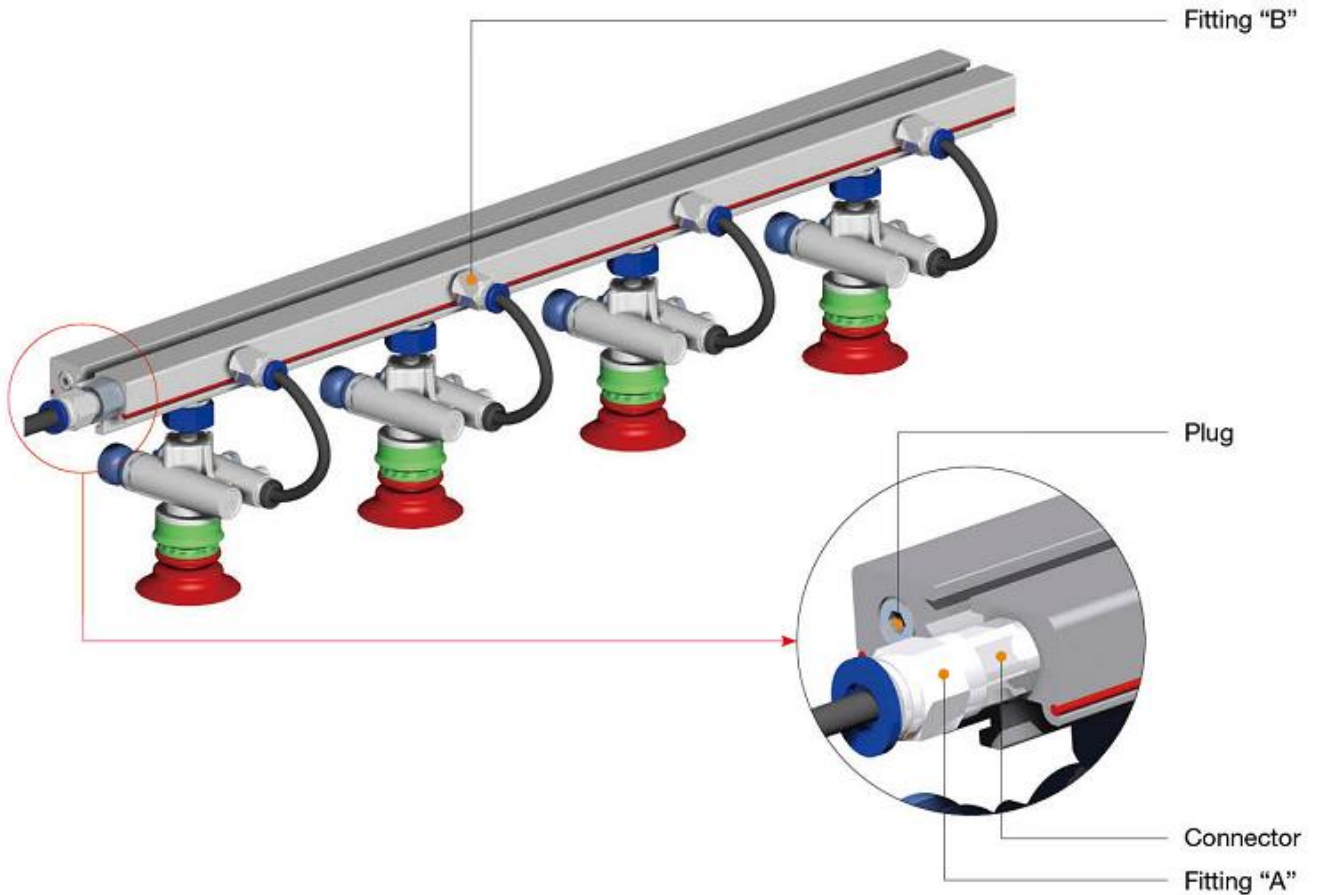
### Profile

Model	Description
TS06-500	Profile length 0.5m
TS06-1000	Profile length 1m
TS06-1500	Profile length 1.5m
TS06-2000	Profile length 2m

\* For specific profile length contact VMECA



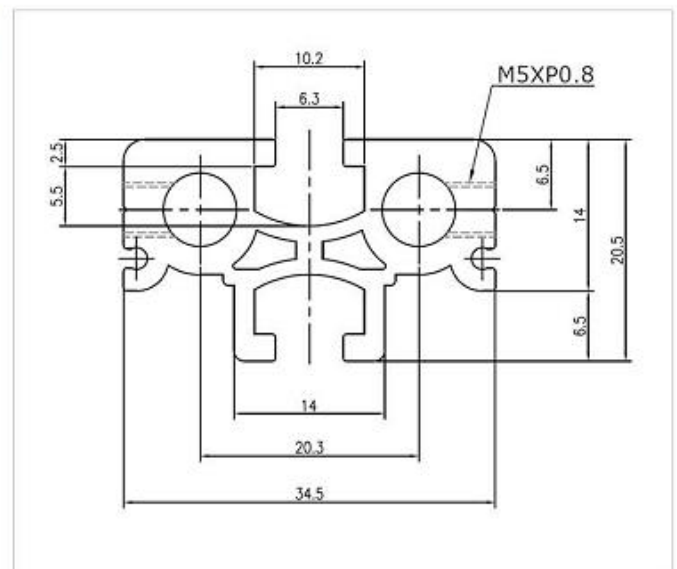
## T-slotted aluminum profile – T06 series



### Profile

Model	Description
T06-500	Profile length 0.5m
T06-1000	Profile length 1m
T06-1500	Profile length 1.5m
T06-2000	Profile length 2m


\* For specific profile length contact VMECA






### Dimensional Data

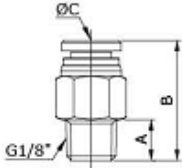
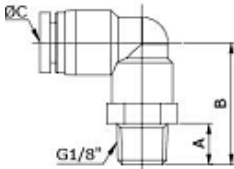
#### Plug

Product view	Part No.	Description
	CF18	Connector for T06 Profile

Product view	Part No.	Description
	HLG18	Plug for Profile

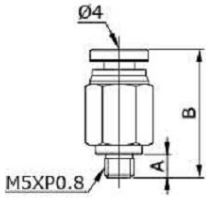
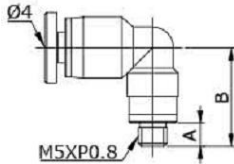
#### Fitting "A"

Product view	Part No.	Description
	FI1806	G1/8 Thread, Ø6 one touch fitting
	FI1808	G1/8 Thread, Ø8 one touch fitting
	FI1810	G1/8 Thread, Ø10 one touch fitting
	FL1806	G1/8 Thread, Ø6 "L" one touch fitting
	FL1808	G1/8 Thread, Ø8 "L" one touch fitting
	FL1810	G1/8 Thread, Ø10 "L" one touch fitting

Dimension	Part No.	A	B	C
	FI1806	8	23.2	6
	FI1808	8	28.5	8
	FI1810	8	31	10
	FL1806	8	24	6
	FL1808	8	27	8
	FL1810	8	32	10

#### Fitting "B"

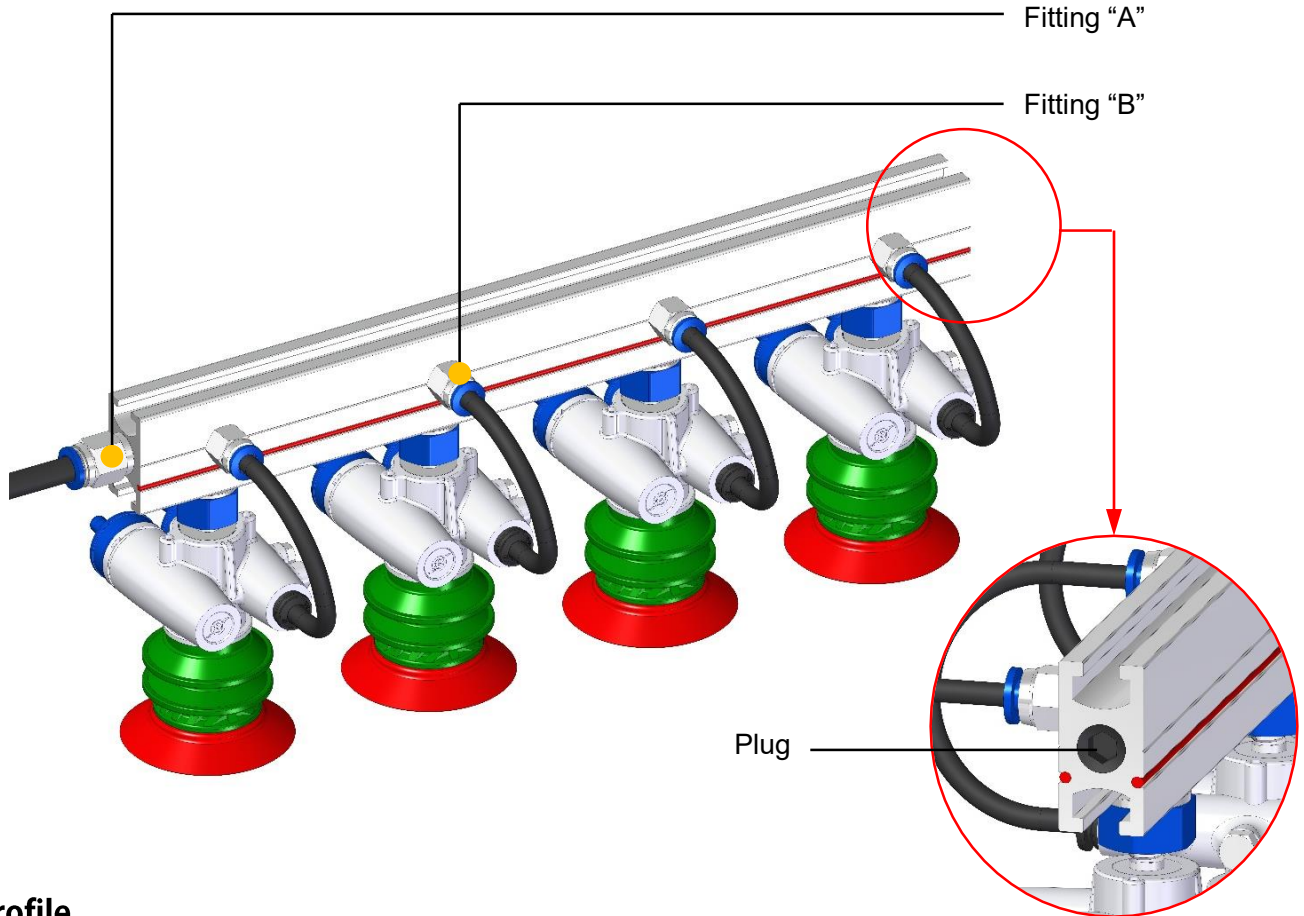
Product view	Part No.	Description
	FIM504	M5 Thread, Ø4 one touch fitting
	FLM504	M5 Thread, Ø4 "L" one touch fitting

Dimension	Part No.	A	B
	FIM504	4	22
	FLM504	4	16.8





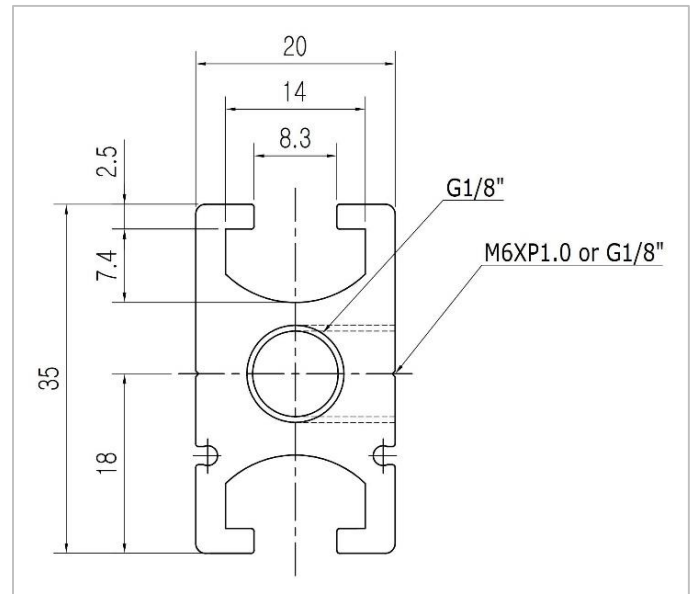
## T-slotted aluminum single profile – TS08 series



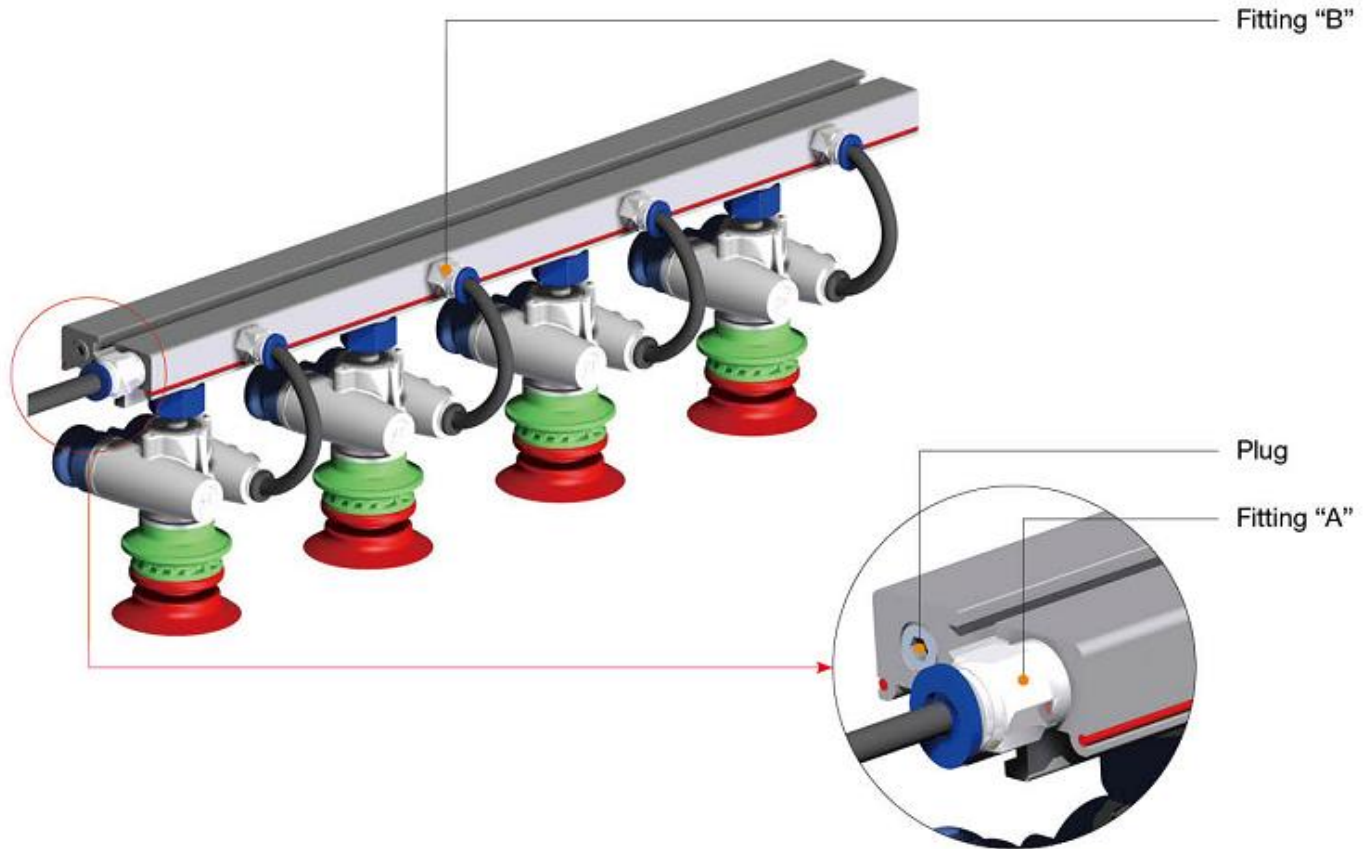
### Profile

Model	Description
TS08-500	Profile length 0.5m
TS08-1000	Profile length 1m
TS08-1500	Profile length 1.5m
TS08-2000	Profile length 2m

\* For specific profile length contact VMECA



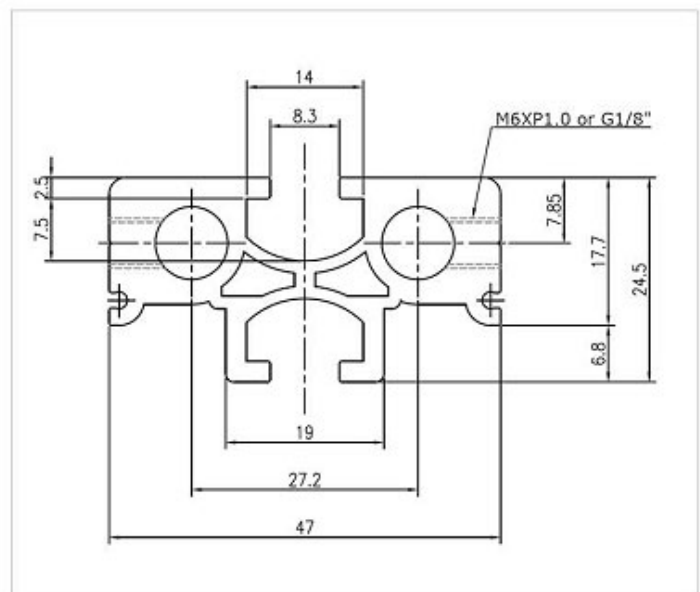
### T-slotted aluminum profile – T08 series



#### Profile


Model	Description
T08-500	Profile length 0.5m
T08-1000	Profile length 1m
T08-1500	Profile length 1.5m
T08-2000	Profile length 2m

\* For specific profile length contact VMECA



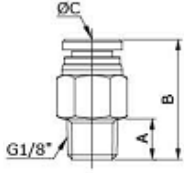
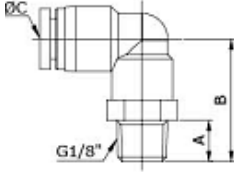
## Dimensional Data

### Plug

Product view	Part No.	Description
	HLG18	Plug for Profile

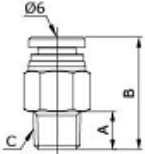
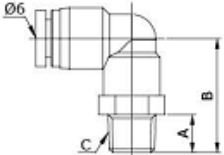
### Fitting "A"

Product view	Part No.	Description
	FI1806	G1/8 Thread, Ø6 one touch fitting
	FI1808	G1/8 Thread, Ø8 one touch fitting
	FL1806	G1/8 Thread, Ø6 "L" one touch fitting
	FL1808	G1/8 Thread, Ø8 "L" one touch fitting

Dimension	Part No.	A	B	C
	FI1806	8	23.2	6
	FI1808	8	28.5	8
	FL1806	8	24	6
	FL1808	8	27	8

### Fitting "B"

Product view	Part No.	Description
	FIM606	M6 Thread, Ø6 one touch fitting
	FI1806	G1/8 Thread, Ø6 one touch fitting
	FLM606	M6 Thread, Ø6 "L" one touch fitting
	FL1806	G1/8 Thread, Ø6 "L" one touch fitting

Dimension	Part No.	A	B	C
	FIM606	6.5	25.7	M6X P1.0
	FI1806	8	23.5	G1/8"
	FLM606	6.5	23.5	M6X P1.0
	FL1806	8	24	G1/8"





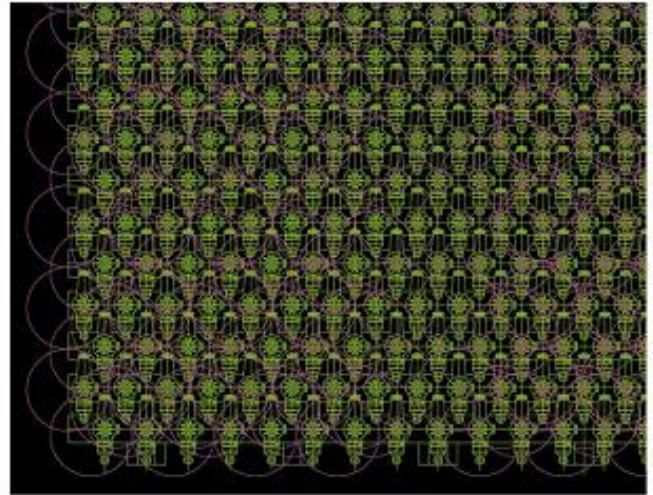


### Application



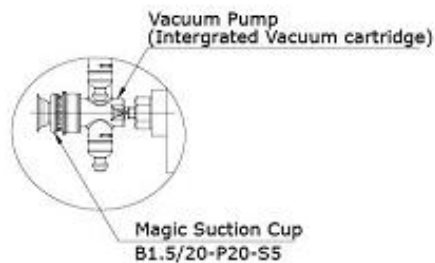
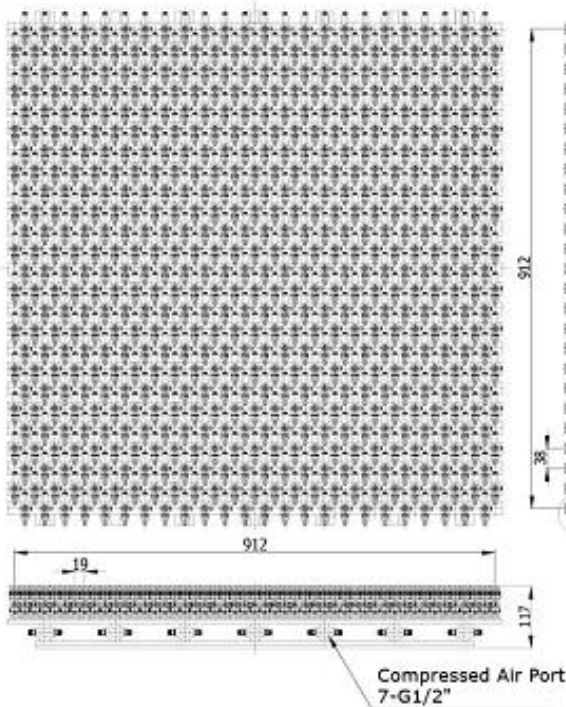
#### Palletizing

- Cat food cans which are randomly located on conveyor



[VMECA R&D checked all possibility]

#### [VMECA Solution]



#### View "A"

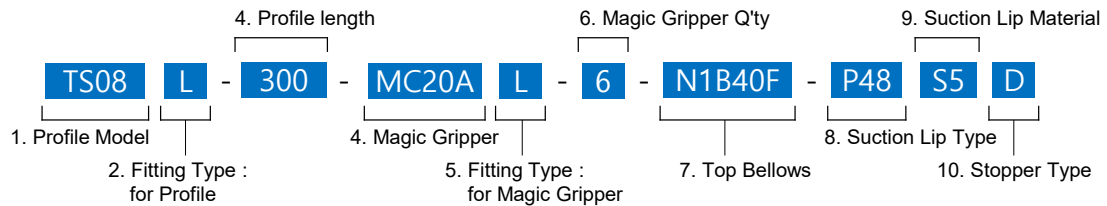
**Model no: S1021-900-B1.5/20-P20-S5**

Max Vacuum Leve	: -83 kPa
Air consumption (2bar)	: 5,080 l/min
Total quantity of pumps and suction cups	: 612 EA
Total weight	: about 40 Kg

※ Air consumption is calculated when it is operated while picking the objects (It means there is no air consumption without the time to pick the objects)



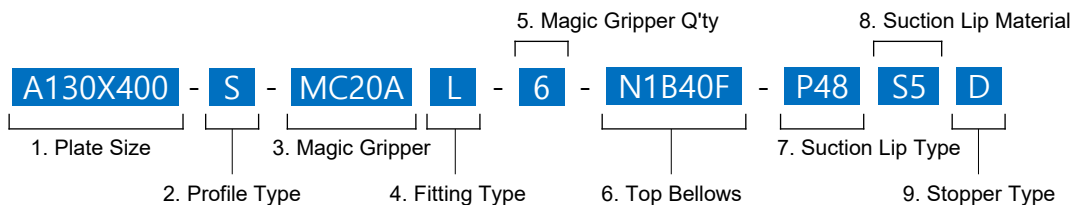
## Build an Ordering No.



1. Profile Model	Description	Ordering No.	ETC
	T-Slotted Profile T06(Double Air Port) For MC10	T06	
	T-Slotted Profile T08(Double Air Port) For MC20, MC23, MC25	T08	
	T-Slotted Profile TS06(Single Air Port) For MC10	TS06	
	T-Slotted Profile TS08(Single Air Port) For MC20, MC23, MC25	TS08	
2. Fitting Type : Profile	Description	Ordering No.	ETC
	Straight Fitting	Blank	
	L-shape Fitting	L	
3. Profile length	Description	Ordering No.	ETC
	Profile length 0.5m	500	
	Profile length 1m	1000	※ for specific profile length contact to VMECA
	Profile length 1.5m	1500	
	Profile length 2m	2000	
4. Magic Gripper	Description	Ordering No.	
	Refer to Magic Gripper catalog ※ Mounting Option : only Profile Type is available		
5. Fitting Type : Magic Gripper	Description	Ordering No.	ETC
	Straight Fitting	Blank	
	L-shape Fitting	L	
6. Magic Gripper Q'ty	Description	Ordering No.	ETC
	Magic gripper Q'ty is free to choose.		
7. Top Bellows	Description	Ordering No.	ETC
	Refer to Magic Gripper catalog		
8. Suction Lip Type	Description	Ordering No.	ETC
	Refer to Magic Gripper catalog		
9. Suction Lip Material	Description	Ordering No.	ETC
	Refer to Magic Gripper catalog		
10. Stopper Type	Description	Ordering No.	ETC
	Refer to Magic Gripper catalog		



### Build an Ordering No.



1. Plate Size	Description	Ordering No.	ETC
	Plate Size 197X300 (Magic Gripper distance 90 ~ 170 mm)	A130X300	
	Plate Size 267X300 (Magic Gripper distance 120 ~ 240 mm)	A200X300	
	Plate Size 367X300 (Magic Gripper distance 200 ~ 340 mm)	A300X400	
2. Profile Type	Description	Ordering No.	ETC
	T-Slotted Aluminum Profile T06, T08 Series (Double Air Port)	Blank	
	T-Slotted Aluminum Profile TS06, TS08 Series (Single Air Port)	S	
3. Magic Gripper	Description	Ordering No.	ETC
	Refer to Magic Gripper catalog Mounting Option : only Profile Type is available		
4. Fitting Type	Description	Ordering No.	ETC
	Straight Fitting	Blank	
	L-shape Fitting	L	
5. Magic Gripper Q'ty	Description	Ordering No.	ETC
	Magic gripper Q'ty is free to choose.		
6. Top Bellows	Description	Ordering No.	ETC
	Refer to Magic Gripper catalog		
7. Suction Lip Type	Description	Ordering No.	ETC
	Refer to Magic Gripper catalog		
8. Suction Lip Material	Description	Ordering No.	ETC
	Refer to Magic Gripper catalog		
9. Stopper Type	Description	Ordering No.	ETC
	Refer to Magic Gripper catalog		

