

VBX Series (Bellows & Cross groove)

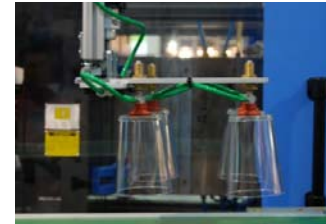
Feature and strengths

- Particularly good for use on curved surface and for separating thin sheets of materials in stacks.
- The bellows cup is very good at compensating for a degree of difference in level and curvature of the work piece, more angular and level compensation can be achieved by using other Vtec cup
- Enhancing the adhesion to the surface



Suitable for handling

- Vaneer sheets
- Plywood
- Glass
- Sheet metal
- Carton box



Order No.

VBX45 PU - 18F



① Suction cup Ø

VBX35	- Ø35
• VBX45	- Ø45
VBX55	- Ø55

② Material

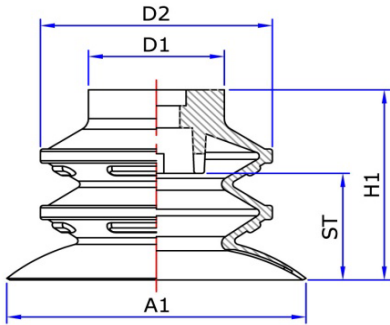
• PU	- Poly Urethane
WPU	- White Poly Urethane

③ Thread size

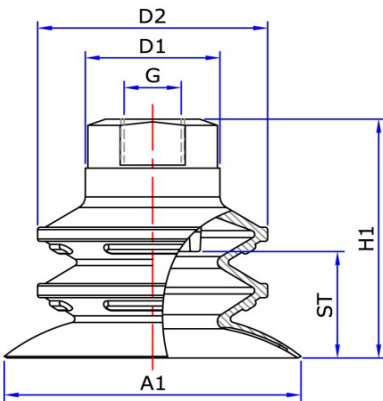
18M	- G1/8" Male (VBX 35, VBX45)
• 18F	- G1/8" female (VBX 35, VBX45, VBX55)
14M	- G1/4" Male (VBX 35, VBX45, VBX55)
38M	- G3/8" Male (VBX 35, VBX45, VBX55)
N18M	- NPT 1/8" Male (VBX 35, VBX45)
NF18F	- NPSF 1/8" female (VBX 35, VBX45, VBX55)
N14M	- NPT 1/4" Male (VBX 35, VBX45, VBX55)
N38M	- NPT 3/8" Male (VBX 35, VBX45, VBX55)
M10M	- M10xP1.5 male (VBX 35, VBX45, VBX55)

Technical Data

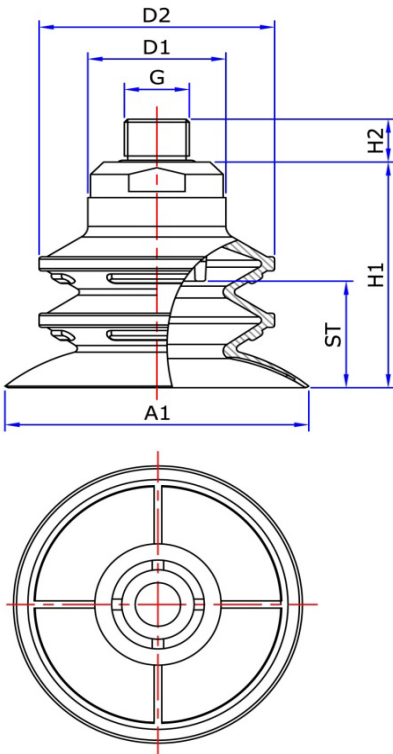
Model	Volume (cm ³)	Perpendicular lifting force (kg) at vacuum level		
		-20 kPa	-60 kPa	-90 kPa
VBX 35PU	5.8	2.63	4.38	6.95
VBX 45PU	13	6.4	8.8	10.5
VBX 55PU	29.5	7.6	10.1	12.2



Model	A1	H1	ST	D1	D2
VBX35 PU	35	24	12	20.5	27.5
VBX45 PU	45.8	32	16	20.5	35.5
VBX55 PU	55.8	40	20	27	46.5



Model	A1	G	H1	ST	D1	D2
VBX35 .. - 18F	34.8	G1/8" female	32	10	20.5	27.5
VBX35 .. - NF18F		NPSF 1/8" female	32			
VBX45 .. - 18F	45.8	G1/8" female	40	15	20.5	35.5
VBX45 .. - NF18F		NPSF 1/8" female	40			
VBX55 .. - 18F	55.8	G1/8" female	48	20	27	46.5
VBX55 .. - NF18F		NPSF 1/8" female	48			



Model	A1	G	H1	H2	ST	D1	D2
VBX35.. - 18M	34.8	G1/8" Male	29.8	7	10	20.5	27.5
VBX35.. - 14M		G1/4" Male	29.8	9		20.5	
VBX35.. - 38M		G3/8" Male	31.5	9.5		21.5	
VBX35.. - N18M		NPT 1/8" Male	29.8	7		20.5	
VBX35.. - N14M		NPT 1/4" Male	29.8	9		20.5	
VBX35.. - N38M		NPT 3/8" Male	31.5	9.5		21.5	
VBX35.. - M10M		M10XP1.5 Male	32	13		20.5	
VBX45.. - 18M	45.8	G1/8" Male	37.8	7	15	20.5	35.5
VBX45.. - 14M		G1/4" Male	37.8	9		20.5	
VBX45.. - 38M		G3/8" Male	39.5	9.5		21.5	
VBX45.. - N18M		NPT 1/8" Male	37.8	7		20.5	
VBX45.. - N14M		NPT 1/4" Male	37.8	9		20.5	
VBX45.. - N38M		NPT 3/8" Male	39.5	9.5		21.5	
VBX45.. - M10M		M10XP1.5 Male	40	13		20.5	
VBX55.. - 14M	55.8	G1/4" Male	48	9	20	27	46.5
VBX55.. - 38M		G3/8" Male	48	10			
VBX55.. - N14M		NPT 1/4" Male	48	9			
VBX55.. - N38M		NPT 3/8" Male	48	10			
VBX55.. - M10M		M10XP1.5 Male	48	13			