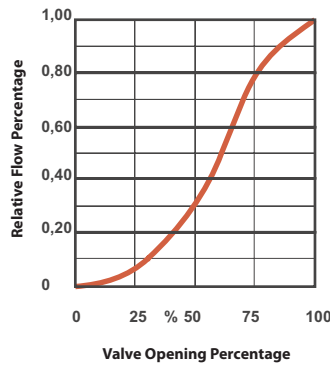
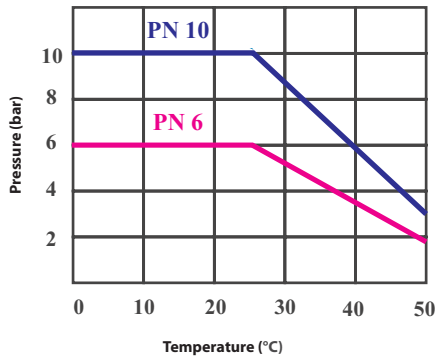
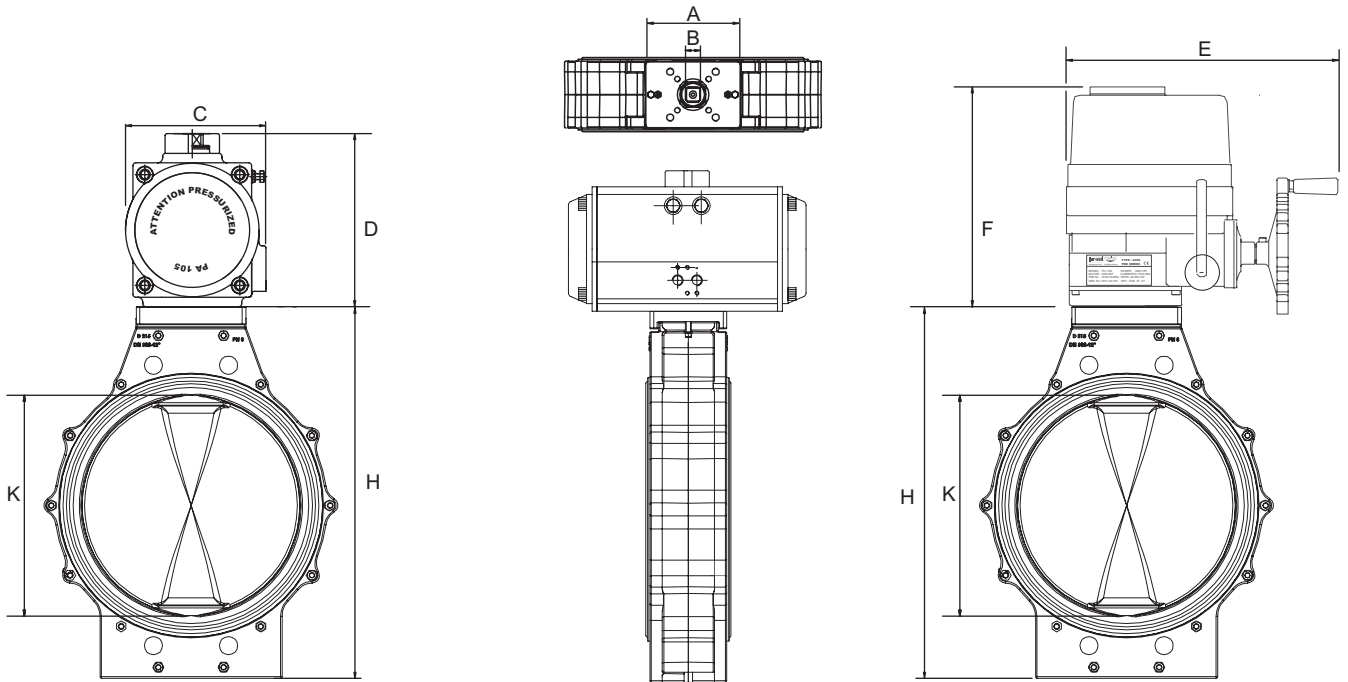




V115 U-PVC Butterfly Valves

Proval V115 Series, U-PVC butterfly valves are mainly used in water, wastewater, pool as well as common industrial applications. UV resistant and antioxidant additives on body and disc material provides longer life cycle and more healthy application of U-PVC butterfly valves

Direct mounting ISO5211 top flange provides easy automation solutions for V115 series U-PVC Butterfly valves.



Pneumatic Actuator
U-PVC Butterfly Valve

Dimensions (mm)

| Size (DN) | Size (D) | B | ISO 5211 Flange | L | A | H | ØK | Pn. Act. Model | C | D | Elc. Act. Model | E | F | Torque (Nm) | Kv (m3/h) |
|-----------|----------|----|-----------------|-----|-----|-----|-----|----------------|-----|-----|-----------------|-----|-----|-------------|-----------|
| 50 | 63 | 11 | F05 / F07 | 42 | 110 | 211 | 65 | 52 DA | 72 | 92 | PRO 040 | 125 | 145 | 12 | 110 |
| 65 | 75 | 11 | F05 / F07 | 42 | 110 | 211 | 65 | 52 DA | 72 | 92 | PRO 040 | 125 | 145 | 18 | 110 |
| 80 | 90 | 11 | F05 / F07 | 42 | 110 | 235 | 80 | 63 DA | 83 | 108 | PRO 040 | 125 | 145 | 20 | 245 |
| 100 | 110 | 14 | F05 / F07 | 48 | 110 | 258 | 100 | 75 DA | 95 | 120 | PRO 060 | 125 | 150 | 30 | 390 |
| 125 | 125-140 | 14 | F05 / F07 | 60 | 110 | 290 | 125 | 75 DA | 95 | 120 | PRO 060 | 125 | 150 | 50 | 690 |
| 150 | 160 | 14 | F07 / F10 | 68 | 151 | 331 | 150 | 83 DA | 100 | 130 | PRO 080 | 130 | 211 | 60 | 995 |
| 200 | 200-225 | 14 | F07 / F10 | 82 | 151 | 403 | 200 | 92 DA | 108 | 140 | PRO 160 | 338 | 259 | 80 | 2100 |
| 250 | 250-280 | 22 | F07 / F10 | 94 | 151 | 457 | 250 | 105 DA | 122 | 153 | PRO 160 | 338 | 259 | 160 | 3195 |
| 300 | 315 | 22 | F07 / F10 | 106 | 151 | 512 | 300 | 125 DA | 142 | 175 | PRO 240 | 338 | 259 | 290 | 5100 |