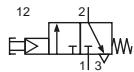


Technical details

Connection	G1/8
Nominal size	3 mm
Temperature range	-10°C ... +70°C
Medium	Filtered, oil-free and dried compressed air according to ISO 8573-1:2010, Class 7:2:4, instrument air, free of aggressive additives. Alternatively the pressure dew point must be at least 10°C below lowest occurring ambient temperature.
Materials	Body: Al (anodized), seals: NBR and POM, inner parts: Al, stainless steel and brass



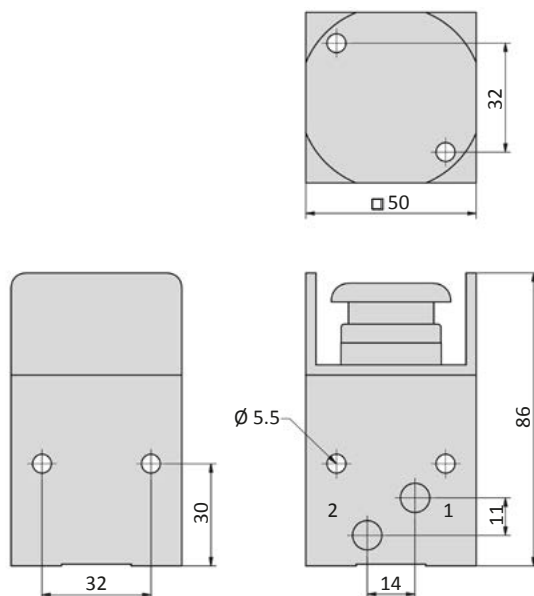
Servo-operated spool valve with low actuating force. The actuating is constantly pilot air supported and is venting* in resting position on a small amount of air. *(through a gap between holder and body)

3/2-way valve


ST-18-310
3/2-way, mechanical spring return,
push button

Technical data

Model-no.:	ST-18-310
Operating pressure (bar)	3 ... 10
Flow rate (NI/min)	220
Actuating force at 6 bar (N)	3.5
Air consumption (NI/min)	2.5
Weight (kg)	0.400

Dimensions
ST-18-310


- 1 = pressure inlet
- 2 = outlet

