

SPECIAL GRIPPERS / Solar Master

Solar Master

Features and Strengths

VMECA vacuum cartridge technology integrated
 Low air consumption while achieving very fast and stable vacuum
 Available for various sizes according to wafer size

Examples of use

Wafers, Solar cells



Holding force

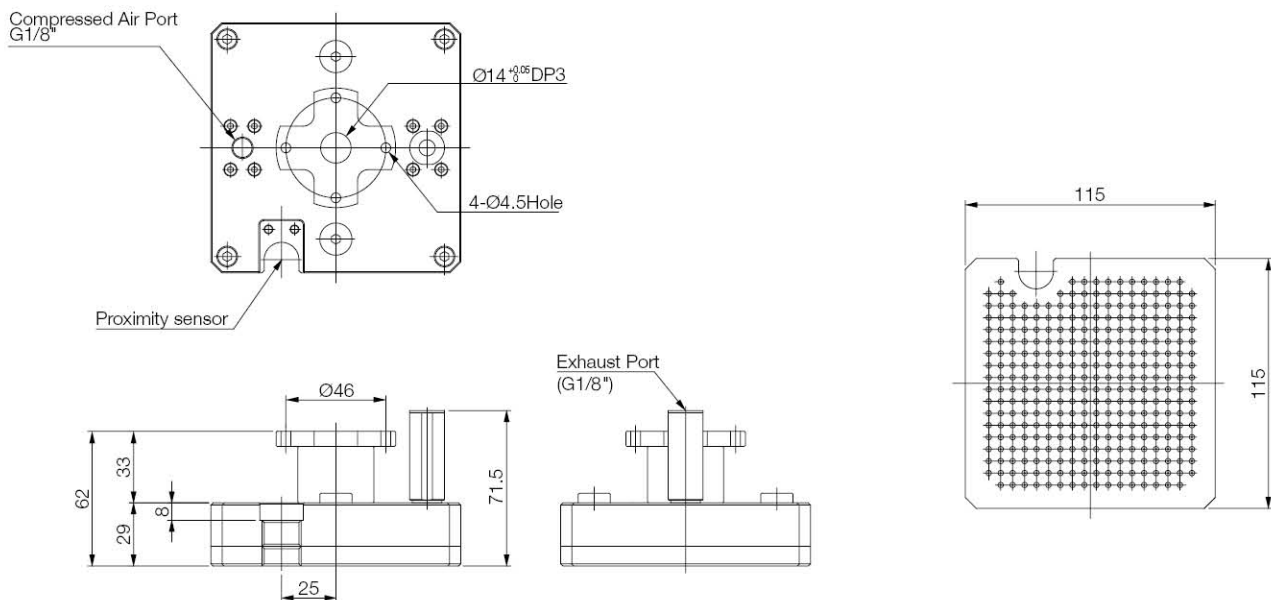
Model	Holding force (N) at different air inlet pressure			
	3 bar	4 bar	5 bar	6 bar
SM05	112.7	120.4	132.4	147

Air consumption

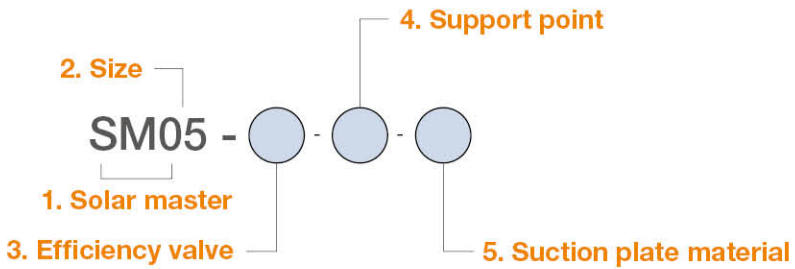
Model	Air consumption (NI/min) at different air inlet pressure			
	1.7 bar	2.2 bar	3.14 bar	4 bar
SM05	34	40	52	64

Dimensions

[Unit : mm]



I Build an Ordering No.



1. Solar master	Description	Symbol
	Wafer size 5", With free flow silencer, Integrated with the VMECA Vacuum Cartridge	SM
2. Size	Description	Symbol
	115mm X 115mm X H62mm	05
3. Efficiency valve	Description	Symbol
	No efficiency valve	Blank
	Efficiency valve	EV
4. Support point	Description	Symbol
	No support point	Blank
	Support point	P
5. Suction plate material	Description	Symbol
	Aluminum	A
	PEEK	PK
	POM	PO