

**Technical details**

<b>Operating pressure</b>	1 ... 10 bar
<b>Temperature range</b>	-20°C ... +80°C
<b>Medium</b>	Filtered, oil-free and dried compressed air according to ISO 8573-1:2010, Class 7:2:4, instrument air, free of aggressive additives. Alternatively the pressure dew point must be at least 10°C below lowest occurring ambient temperature.
<b>Materials</b>	Cylinder tube: Al (anodized) End caps: Al-die-cast (painted) Piston rod: stainless steel Seals: PU, NBR (optional FKM)
	Cylinders in accordance with 2014/34/EU (ATEX) available. (Chapter 13)

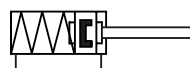


Single acting cylinder with magnetic piston for proximity sensors and built-in cushioning rings. Standard stroke lengths in table below, additional lengths on request.

**Versions**

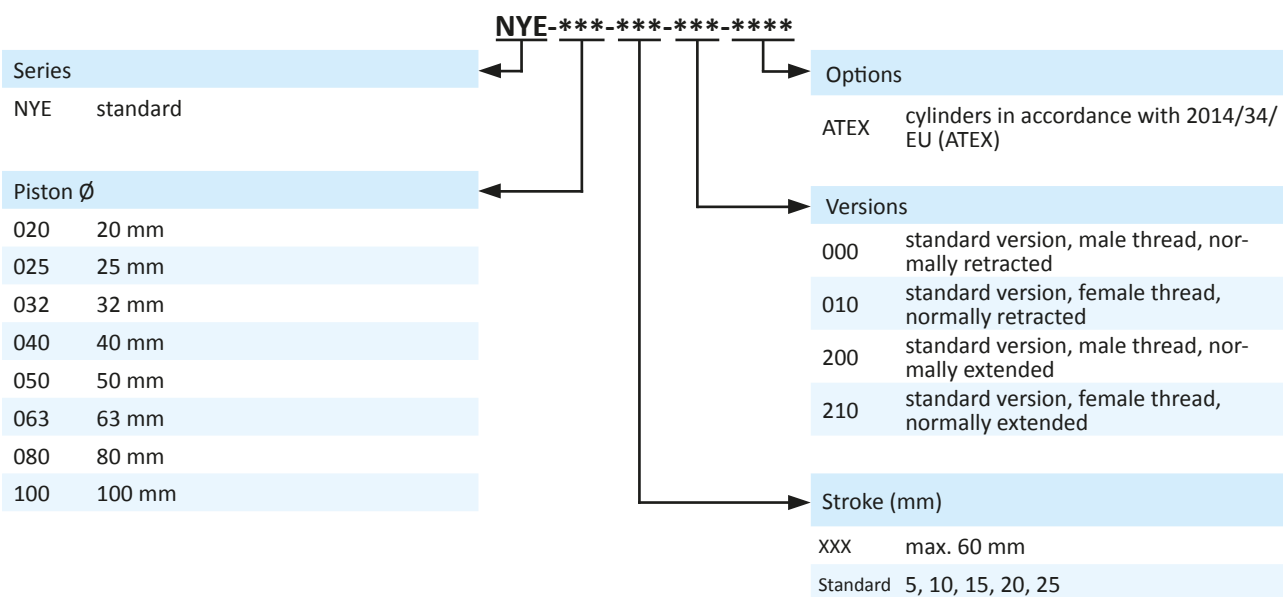


000, 010  
single acting, built-in cushioning rings,  
with magnetic piston,  
normally retracted



200, 210  
single acting, built-in cushioning rings,  
with magnetic piston,  
normally extended

**Order code**



**Technical data**

Model-no.:	NYE-020-...	NYE-025-...	NYE-032-...	NYE-040-...	NYE-050-...	NYE-063-...	NYE-080-...	NYE-100-...	
<b>Piston Ø (mm)</b>	20	25	32	40	50	63	80	100	
<b>Connection</b>	M5	M5	G1/8	G1/8	G1/8	G1/8	G1/8	G1/8	
<b>Piston rod thread</b>	male M8	M8	M10 x 1.25	M10 x 1.25	M12 x 1.25	M12 x 1.25	M16 x 1.5	M16 x 1.5	
	female M6	M6	M8	M8	M10	M10	M12	M12	
<b>Weight (kg)</b>	0 mm stroke (-x00)*	0.143	0.178	0.240	0.301	0.471	0.661	1.066	1.793
	0 mm stroke (-x10)*	0.131	0.166	0.217	0.278	0.435	0.625	0.996	1.722
	0 mm stroke (-x00)**	0.167	0.202	0.264	0.325	0.495	0.685	1.114	1.841
	0 mm stroke (-x10)**	0.155	0.190	0.241	0.302	0.459	0.649	1.044	1.770
	each 10 mm stroke	0.024	0.028	0.029	0.030	0.048	0.057	0.088	0.115

\* up to 30 mm stroke, \*\* from 35 mm stroke



## Series NYE

### ISO 21287, single acting

#### Technical data

Model-no.:		NYE-020-xxx-0x0	NYE-025-xxx-0x0	NYE-032-xxx-0x0	NYE-040-xxx-0x0
Force at 6 bar and 5 mm stroke (N)	Extension	132 ... 137	223 ... 227	381 ... 386	609 ... 616
	Retraction	33 ... 38	38 ... 42	48 ... 53	63 ... 70
Force at 6 bar and 10 mm stroke (N)	Extension	132 ... 141	223 ... 232	381 ... 392	609 ... 623
	Retraction	29 ... 38	33 ... 42	42 ... 53	56 ... 70
Force at 6 bar and 15 mm stroke (N)	Extension	132 ... 146	223 ... 236	381 ... 397	609 ... 630
	Retraction	24 ... 38	29 ... 42	37 ... 53	49 ... 70
Force at 6 bar and 20 mm stroke (N)	Extension	132 ... 151	223 ... 241	381 ... 403	609 ... 637
	Retraction	19 ... 38	24 ... 42	31 ... 53	42 ... 70
Force at 6 bar and 25 mm stroke (N)	Extension	132 ... 155	223 ... 245	381 ... 408	609 ... 644
	Retraction	15 ... 38	20 ... 42	26 ... 53	35 ... 70

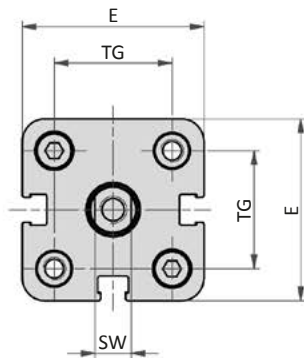
Model-no.:		NYE-050-xxx-0x0	NYE-063-xxx-0x0	NYE-080-xxx-0x0	NYE-100-xxx-0x0
Force at 6 bar and 5 mm stroke (N)	Extension	985 ... 993	1586 ... 1594	2564 ... 2573	4027 ... 4039
	Retraction	67 ... 75	89 ... 97	141 ... 150	202 ... 214
Force at 6 bar and 10 mm stroke (N)	Extension	985 ... 1001	1586 ... 1602	2564 ... 2581	4027 ... 4052
	Retraction	59 ... 75	81 ... 97	133 ... 150	189 ... 214
Force at 6 bar and 15 mm stroke (N)	Extension	985 ... 1008	1586 ... 1610	2564 ... 2590	4027 ... 4064
	Retraction	52 ... 75	73 ... 97	124 ... 150	177 ... 214
Force at 6 bar and 20 mm stroke (N)	Extension	985 ... 1016	1586 ... 1619	2564 ... 2599	4027 ... 4076
	Retraction	44 ... 75	64 ... 97	115 ... 150	165 ... 214
Force at 6 bar and 25 mm stroke (N)	Extension	985 ... 1024	1586 ... 1627	2564 ... 2607	4027 ... 4089
	Retraction	36 ... 75	56 ... 97	107 ... 150	152 ... 214

Model-no.:		NYE-020-xxx-2x0	NYE-025-xxx-2x0	NYE-032-xxx-2x0	NYE-040-xxx-2x0
Force at 6 bar and 5 mm stroke (N)	Extension	33 ... 38	38 ... 42	48 ... 53	63 ... 70
	Retraction	89 ... 94	181 ... 185	320 ... 325	548 ... 555
Force at 6 bar and 10 mm stroke (N)	Extension	29 ... 38	33 ... 42	42 ... 53	56 ... 70
	Retraction	89 ... 98	181 ... 190	320 ... 331	548 ... 562
Force at 6 bar and 15 mm stroke (N)	Extension	24 ... 38	29 ... 42	37 ... 53	49 ... 70
	Retraction	89 ... 103	181 ... 194	320 ... 336	548 ... 569
Force at 6 bar and 20 mm stroke (N)	Extension	19 ... 38	24 ... 42	31 ... 53	42 ... 70
	Retraction	89 ... 108	181 ... 199	320 ... 342	548 ... 576
Force at 6 bar and 25 mm stroke (N)	Extension	15 ... 38	29 ... 42	26 ... 53	35 ... 70
	Retraction	89 ... 112	181 ... 203	320 ... 347	548 ... 583

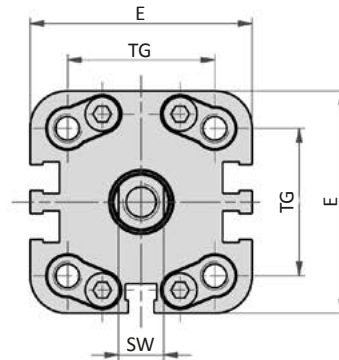
Model-no.:		NYE-050-xxx-2x0	NYE-063-xxx-2x0	NYE-080-xxx-2x0	NYE-100-xxx-2x0
Force at 6 bar and 5 mm stroke (N)	Extension	67 ... 75	89 ... 97	141 ... 150	202 ... 214
	Retraction	877 ... 885	1478 ... 1486	2395 ... 2404	3762 ... 3774
Force at 6 bar and 10 mm stroke (N)	Extension	59 ... 75	81 ... 97	133 ... 150	189 ... 214
	Retraction	877 ... 893	1478 ... 1494	2395 ... 2412	3762 ... 3787
Force at 6 bar and 15 mm stroke (N)	Extension	52 ... 75	73 ... 97	124 ... 150	177 ... 214
	Retraction	877 ... 900	1478 ... 1502	2395 ... 2421	3762 ... 3799
Force at 6 bar and 20 mm stroke (N)	Extension	44 ... 75	64 ... 97	115 ... 150	165 ... 214
	Retraction	877 ... 908	1478 ... 1511	2395 ... 2430	3762 ... 3811
Force at 6 bar and 25 mm stroke (N)	Extension	36 ... 75	56 ... 97	107 ... 150	152 ... 214
	Retraction	877 ... 916	1478 ... 1519	2395 ... 2438	3762 ... 3824

Dimensions series NYE

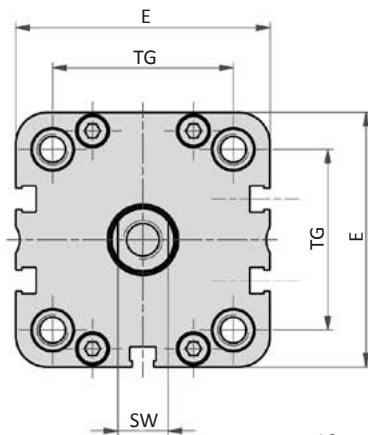
Ø 20 - 25



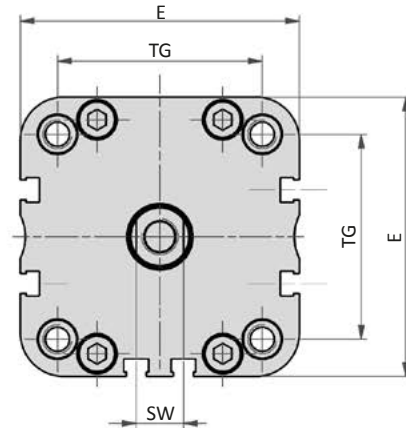
Ø 32



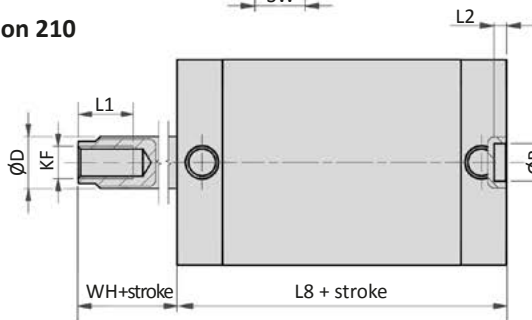
Ø 40 - 50



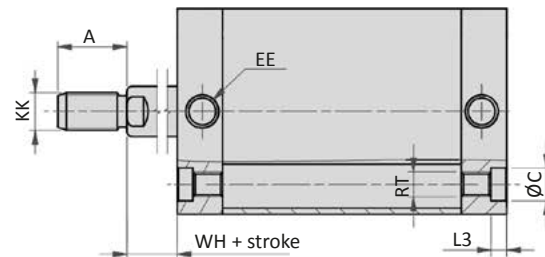
Ø 63 - 100



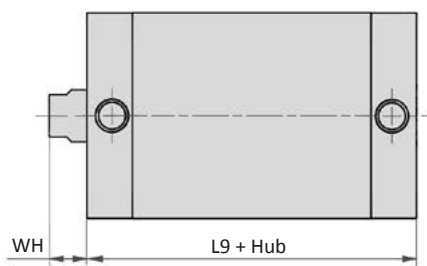
Version 210



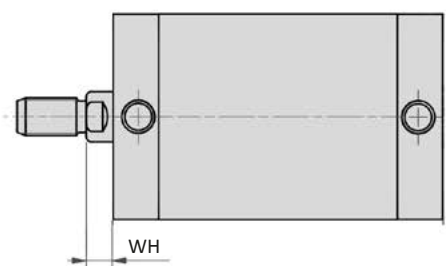
Version 200



Version 010



Version 000



Piston Ø	A	Ø B	Ø C	Ø D	E	EE	KF	KK	L1	L2	L3	L8*	L8**	L9*	L9**	RT	SW	TG	WH
20	16	9	7,5	10	36	M5	M6	M8	15	3	4,5	37	47	37	47	M5	8	22	6,5
25	16	9	7,5	10	40	M5	M6	M8	15	3	4,5	39	49	39	59	M5	8	26	6
32	19	9	9	12	49	G1/8	M8	M10 x 1,25	16	3	5	44	54	44	64	M6	10	32,5	6,5
40	19	9	9	12	54,5	G1/8	M8	M10 x 1,25	16	3	5	45	55	45	65	M6	10	38	7
50	22	12	10,5	16	65,5	G1/8	M10	M12 x 1,25	17	4	5	45	55	45	65	M8	13	46,5	8
63	22	12	10,5	16	77	G1/8	M10	M12 x 1,25	17	4	5	49	59	49	69	M8	13	56,5	8
80	28	12	13,5	20	95,5	G1/8	M12	M16 x 1,5	20	4	3	54	74	54	84	M10	17	72	9
100	28	12	13,5	25	113,5	G1/8	M12	M16 x 1,5	20	4	3	67	87	67	97	M10	22	89	10

\* up to 30 mm stroke, \*\* from 35 mm stroke