

Series NXD

Double acting

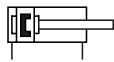
Technical details

Operating pressure	1 ... 10 bar
Temperature range	-10°C ... +80°C (NXDH: 0°C ... +150°C)
Medium	Filtered, oil-free and dried compressed air according to ISO 8573-1:2010, Class 7:2:4, instrument air, free of aggressive additives. Alternatively the pressure dew point must be at least 10°C below lowest occurring ambient temperature.
Materials	Cylinder tube: Al (anodized) End caps: Al (anodized) Piston rod: stainless steel Seals: PU, NBR (optional FKM)

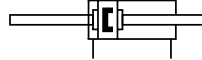


Double acting pneumatic cylinder with magnetic piston for proximity sensors and built-in cushioning rings. Standard stroke lengths in table below, additional lengths on request.

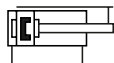
Versions



200, 210
double acting, built-in cushioning rings, with magnetic piston



600, 610
double acting, double end piston rod, built-in cushioning rings, with magnetic piston



220
double acting, non rotating, built-in cushioning rings, with magnetic piston

Order code

NXD*--*--***--*****

Series	
NXD	standard
NXDH	high temperature version
Piston Ø	
012	12 mm
016	16 mm
020	20 mm
025	25 mm
032	32 mm
040	40 mm
050	50 mm
063	63 mm
080	80 mm
100	100 mm

Versions	
200	standard version, male thread
600	standard version, male thread
210	standard version, female thread
610	standard version, female thread
220	non rotating
202	high temperature version (with magnetic piston up to 80°C effective), male thread
602	high temperature version (with magnetic piston up to 80°C effective), male thread
212	high temperature version (with magnetic piston up to 80°C effective), female thread
612	high temperature version (with magnetic piston up to 80°C effective), female thread
222	high temperature version (with magnetic piston up to 80°C effective), non rotating + female thread
Stroke (mm)	
XXX	max. 250 mm**
Standard	5, 10, 15, 20, 25, 30, 40, 50*, 60**, 80***, 100****

Not all combinations are possible and available.

* from Ø 16 mm, ** from Ø 25 mm, *** from Ø 50 mm, ****from Ø 80 mm



Technical data

Model-no.:	NXD-012-...	NXD-016-...	NXD-020-...	NXD-025-...	NXD-032-...	
Piston Ø (mm)	12	16	20	25	32	
Force at 6 bar (N)	Extension	109	109	170	265	434
	Retraction	81	81	127	223	373
Connection	M5	M5	M5	M5	G1/8	
Piston rod thread	male	M6	M8	M10 x 1.25	M10 x 1.25	M10 x 1.25
	female	M3	M4	M5	M5	M6

Model-no.:	NXD-040-...	NXD-050-...	NXD-063-...	NXD-080-...	NXD-100-...	
Piston Ø (mm)	40	50	63	80	100	
Force at 6 bar (N)	Extension	678	1060	1682	2713	4239
	Retraction	617	951	1574	2543	3974
Connection	G1/8	G1/8	G1/8	G1/8	G1/4	
Piston rod thread	male	M10 x 1.25	M12 x 1.25	M12 x 1.25	M16 x 1.5	M20 x 1.5
	female	M6	M8	M8	M10	M12

Piston Ø (mm)	12	16	20	25	32	40	50	63	80	100	
Weight (kg)	0 mm stroke (-200)	0.078	0.082	0.135	0.153	0.275	0.376	0.502	0.776	1.453	2.659
	0 mm stroke (-210)	0.074	0.074	0.121	0.139	0.261	0.362	0.481	0.755	1.402	2.560
	each 100 mm stroke	0.170	0.170	0.270	0.310	0.410	0.500	0.630	0.780	1.180	1.600

Piston Ø (mm)	16	20	25	32	40	50	63	80	100	
Weight (kg)	0 mm stroke (-220)	0.097	0.150	0.195	0.335	0.461	0.636	0.976	1.845	3.190
	each 100 mm stroke	0.200	0.300	0.350	0.530	0.620	0.750	0.900	1.420	1.840

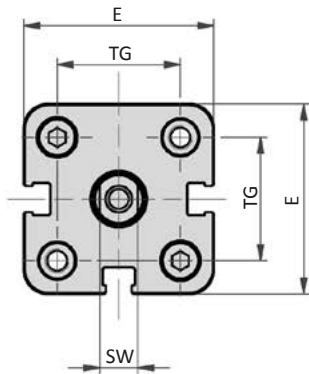
Piston Ø (mm)	12	16	20	25	32	40	50	63	80	100	
Weight (kg)	0 mm stroke (-600)	0.097	0.108	0.170	0.188	0.325	0.426	0.591	0.865	1.617	2.958
	0 mm stroke (-610)	0.092	0.092	0.143	0.161	0.298	0.399	0.548	0.822	1.516	2.760
	each 100 mm stroke	0.210	0.210	0.330	0.370	0.500	0.590	0.790	0.940	1.430	1.980

Series NXD

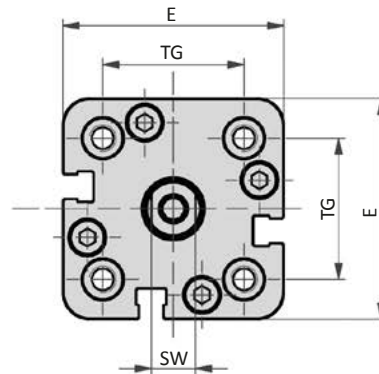
Double acting

Dimensions series NXD (versions 200 and 210)

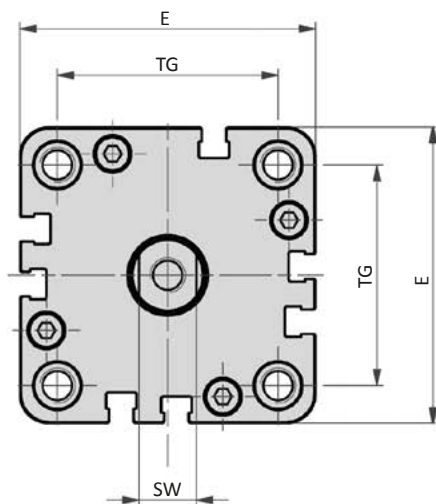
Ø 12 - 25



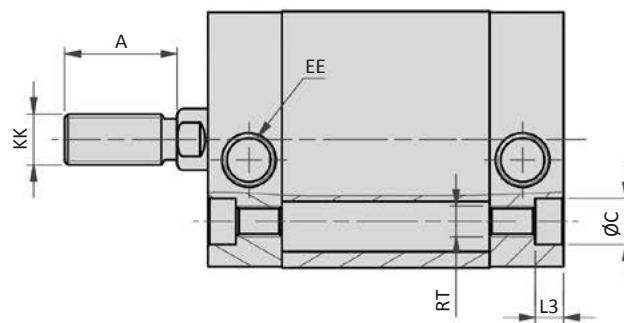
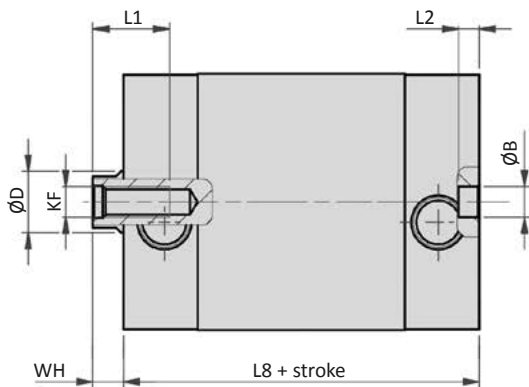
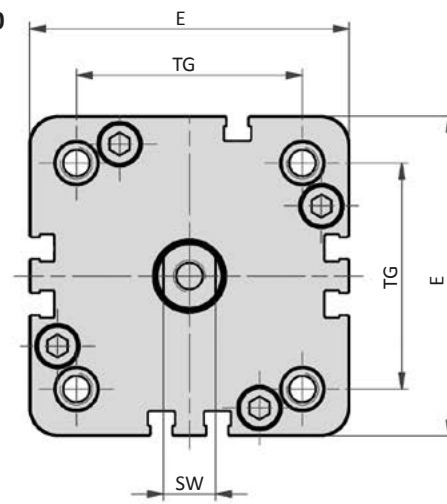
Ø 32 - 40



Ø 50



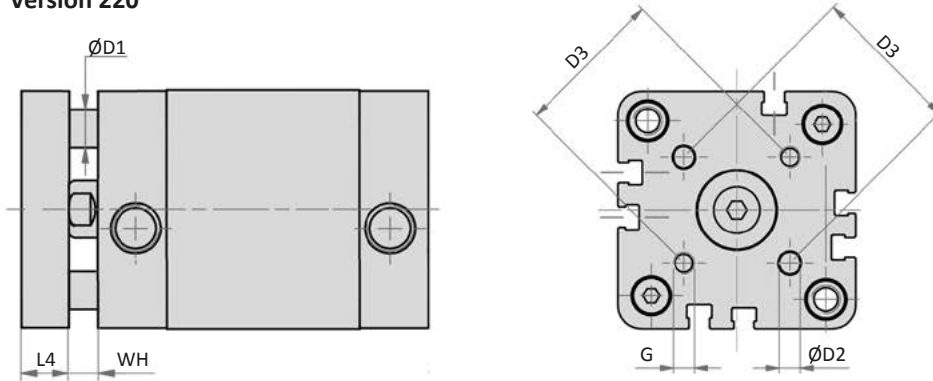
Ø 63 - 100



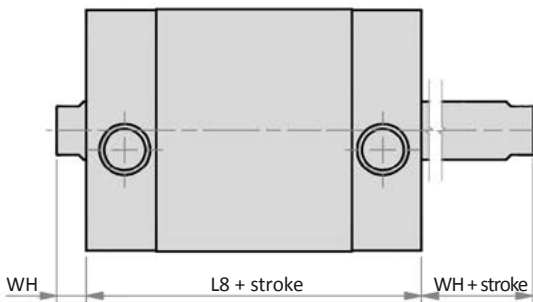
Piston Ø	A	Ø B	Ø C	Ø D	E	EE	KF	KK	L1	L2	L3	L8	RT	SW	TG	WH
12	16	6	6	8	29	M5	M3	M6	6	4	3.5	38	M4	5	18	4.5
16	20	6	6	8	29	M5	M4	M8	8	4	3.5	38	M4	6	18	4.5
20	22	6	7.5	10	36	M5	M5	M10 x 1.25	10	4	4.5	38	M5	8	22	4.5
25	22	6	7.5	10	40	M5	M5	M10 x 1.25	10	4	4.5	39.5	M5	8	26	5.5
32	22	6	9	12	50	G1/8	M6	M10 x 1.25	12	4	5.5	44.5	M6	10	32	6
40	22	6	9	12	58	G1/8	M6	M10 x 1.25	12	4	5.5	45.5	M6	10	42	6.5
50	24	6	10.5	16	67	G1/8	M8	M12 x 1.25	12	4	6.5	45.5	M8	13	50	7.5
63	24	8	13.5	16	80	G1/8	M8	M12 x 1.25	14	4	8.5	50	M10	13	62	7.5
80	32	8	13.5	20	100	G1/8	M10	M16 x 1.5	15	4	8.5	56	M10	17	82	8
100	40	8	13.5	25	124	G1/4	M12	M20 x 1.5	20	4	8.5	66.5	M10	22	103	10

Dimensions series NXD (Versions 220, 600 and 610)

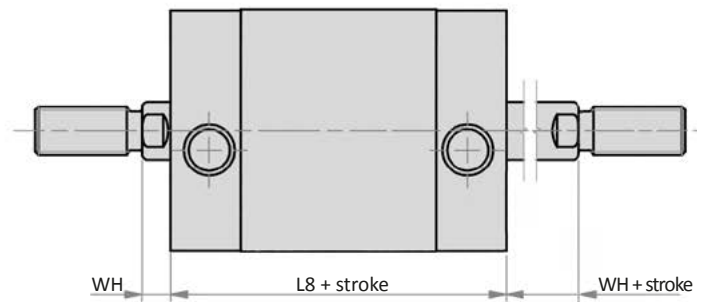
Version 220



Version 610



Version 600



Piston Ø	Ø D1	Ø D2	D3	G	L4	L8	WH
12	-	-	-	-	-	38	4.5
16	5	3	14	M3	6	38	4.5
20	5	4	17	M4	8	38	4.5
25	6	5	22	M5	8	39.5	5.5
32	8	5	28	M5	10	44.5	6
40	10	5	33	M5	10	45.5	6.5
50	10	6	42	M6	12	45.5	7.5
63	10	6	50	M6	12	50	7.5
80	14	8	65	M8	14	56	8
100	14	10	80	M10	14	66.5	10