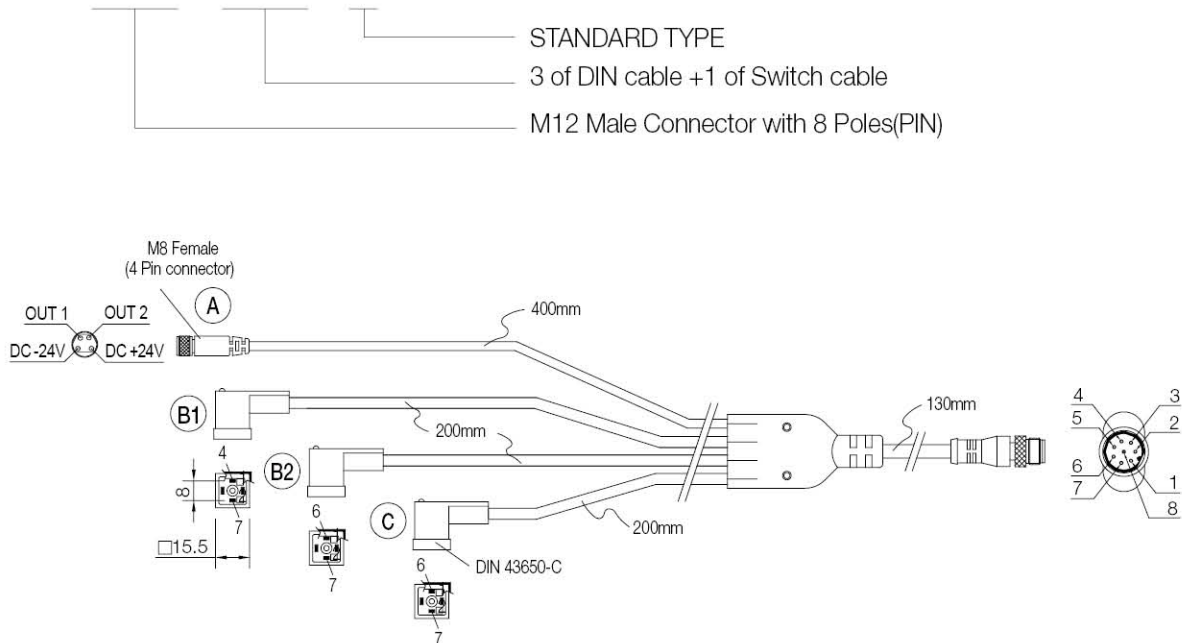


# BUS CABLE & CONNECTION CABLE

## BC M12 – 4DS – 1

Bus Cables for '4 in 1' – Vacuum ON + Vacuum OFF + Vacuum Release ON/OFF + Vacuum Switch

### BC M12 - 4DS - 1



### Specifications

Model	DIN 43650-C
Contact type	Screw with conductor protection
Contact spacing	8mm
Number of poles	2
Cable material	PVC H03VVF
Max. conductor section	0.75mm <sup>2</sup>
Protection class	IP 65 assembled
Fixing screw	M2.5 x 28.5
Profile gasket	NBR

### Build an Ordering No.

## BC M12 – 4DS – 1

### 1. Bus cables for 4 in 1

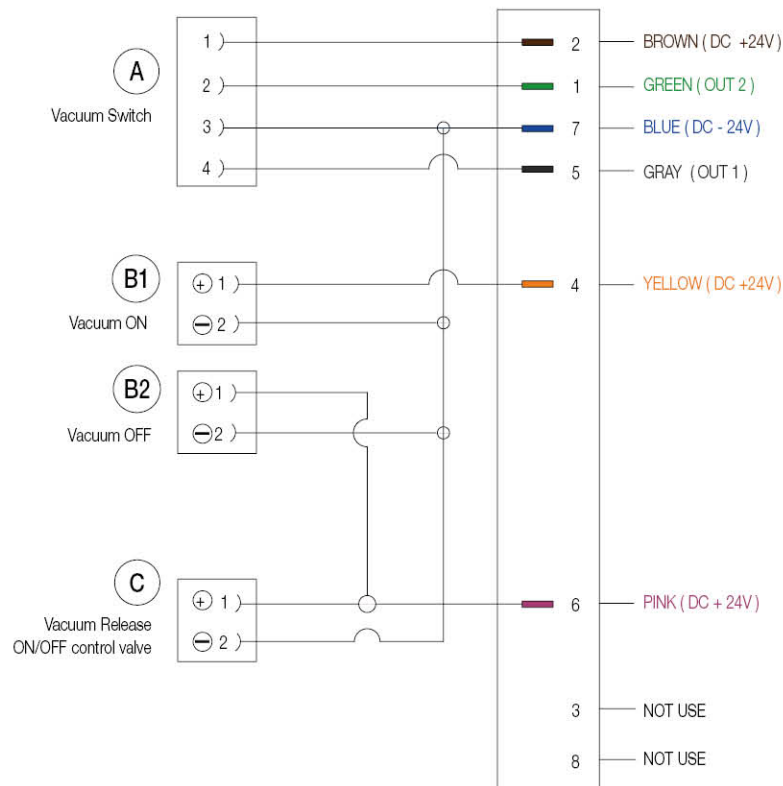
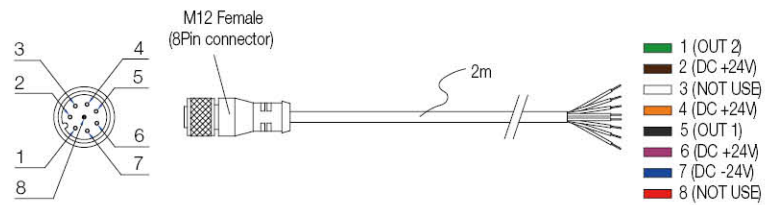
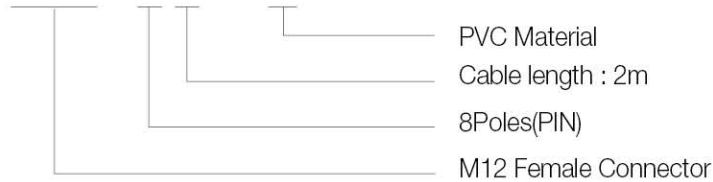
1. Bus cable	Description	Ordering No.
	Bus cables, M12 Male connector with 8 Poles, 2 of DIN cables + M8 switch cable, Splitter with M12 male 8poles - 2off	BC M12-4DS-1
	- Available only with DC24V and Connector type	



## Connection cables

1. Bus cable	Description	Ordering No.
	Connection cables for BC M12, M12 female connector with 8poles, Cable length 2m, PVC material	VC M12-8-2-PVC

### VC M12 - 8 2 - PVC

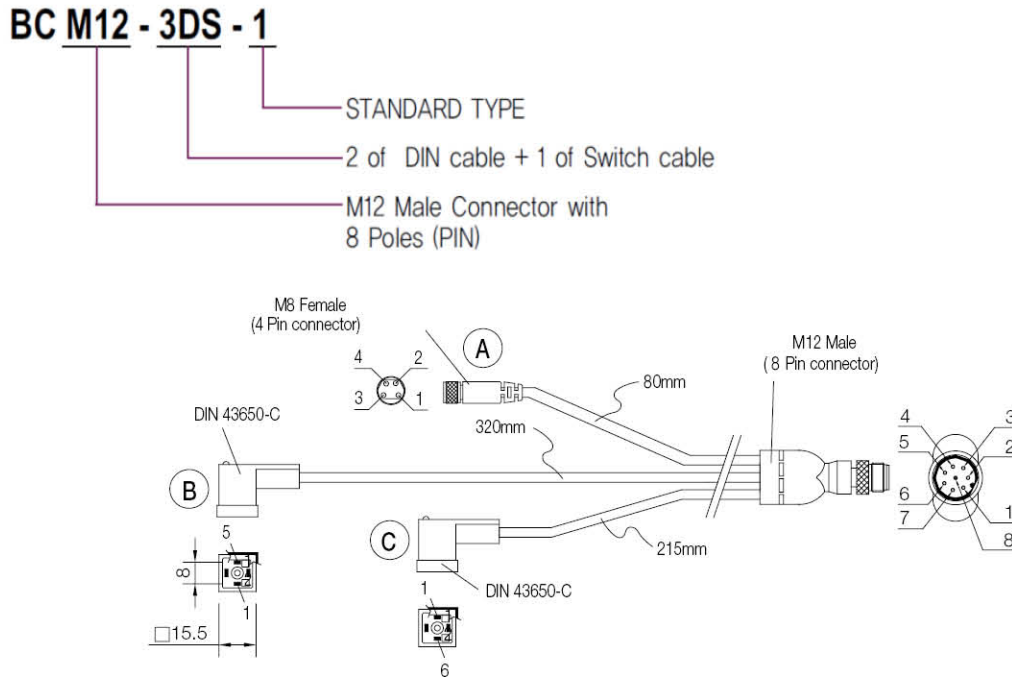


[Connection diagram]

# BUS CABLE & CONNECTION CABLE

## BC M12 – 3DS – 1

Bus Cables for '3 in 1' – Vacuum ON/OFF + Vacuum Release ON/OFF + Vacuum Switch



### Specifications

Model	DIN 43650-C
Contact type	Screw with conductor protection
Contact spacing	8mm
Number of poles	2
Cable material	PVC H03VVF
Max. conductor section	0.75mm <sup>2</sup>
Protection class	IP 65 assembled
Fixing screw	M2.5 x 28.5
Profile gasket	NBR

### Build an Ordering No.

## BC M12 – 3DS – 1

### 1. Bus cables for 3 in 1

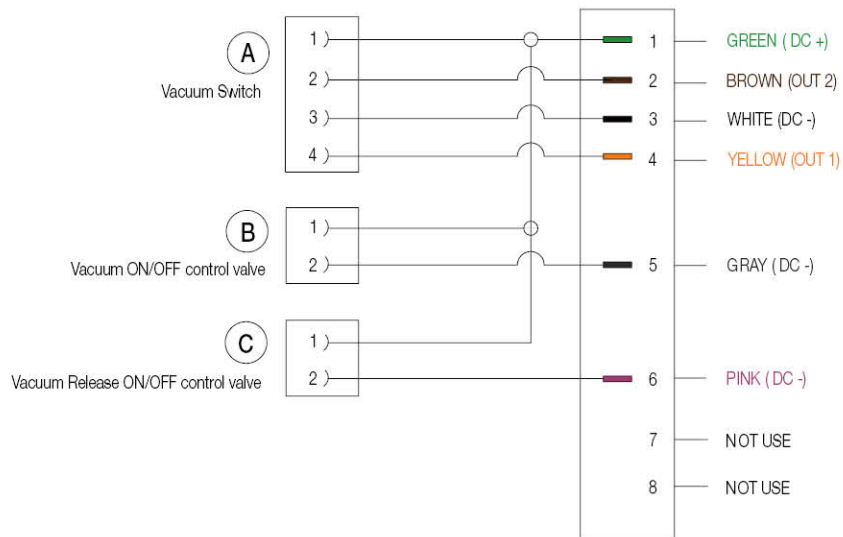
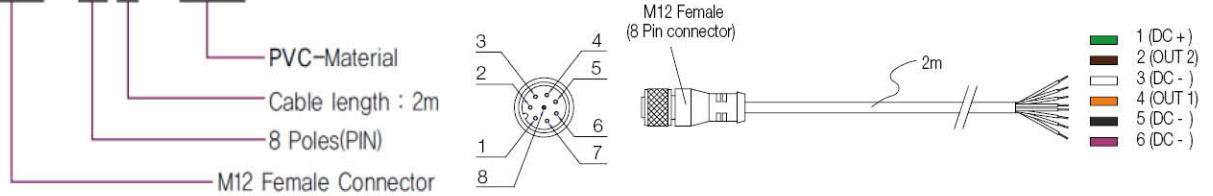
1. Bus cable	Description	Ordering No.
	Bus cables, M12 Male connector with 8 Poles, 2 of DIN cables + M8 switch cable, Splitter with M12 male 8poles - 2off	BC M12-3DS-1
	- Available only with DC24V and Connector type	



## Connection cables

1. Bus cable	Description	Ordering No.
	Connection cables for BC M12, M12 female connector with 8poles, Cable length 2m, PVC material	VC M12-8-2-PVC

### VC M12 - 8 2 - PVC

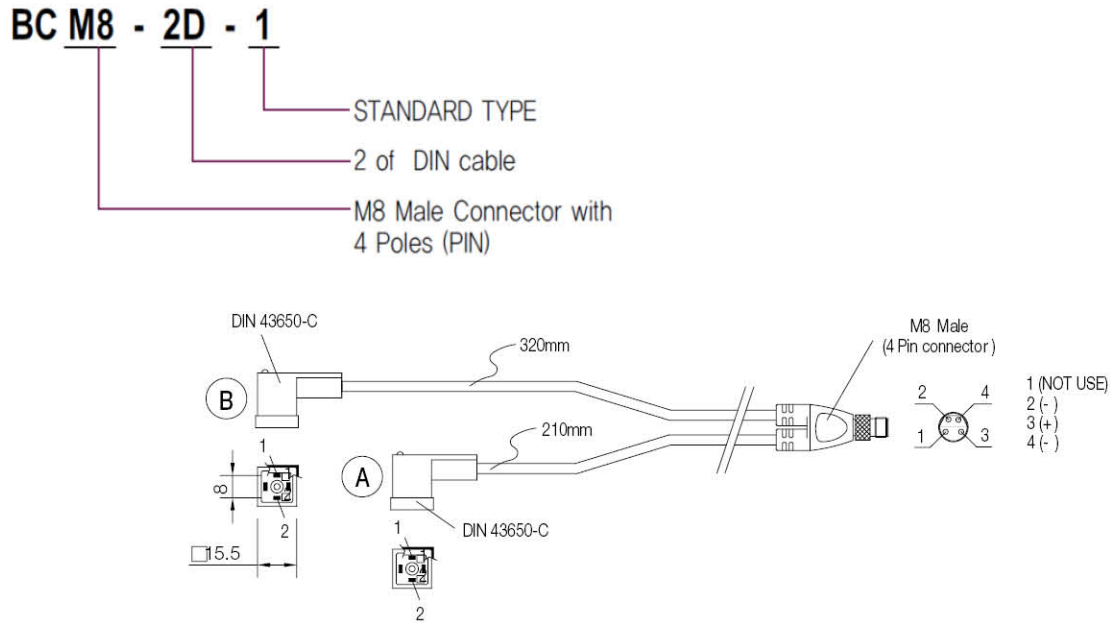


[Connection diagram]

# BUS CABLE & CONNECTION CABLE

## BC M8 – 2D – 1

Bus Cables for '2 in 1' – Vacuum ON/OFF + Vacuum Release ON/OFF



### Specifications

Model	DIN 43650-C
Contact type	Screw with conductor protection
Contact spacing	8mm
Number of poles	2
Cable material	PVC H03VVF
Max. conductor section	0.75mm <sup>2</sup>
Protection class	IP 65 assembled
Fixing screw	M2.5 x 28.5
Profile gasket	NBR

### Build an Ordering No.

## BC M8 – 2D – 1

### 1. Bus cables for 2 in 1

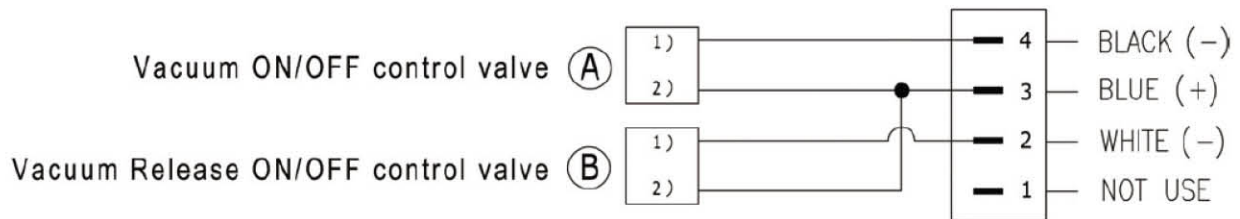
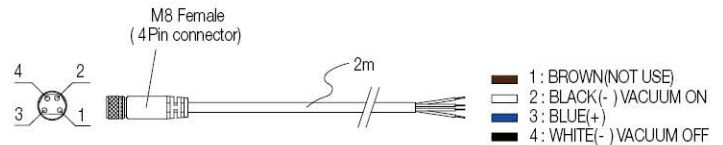
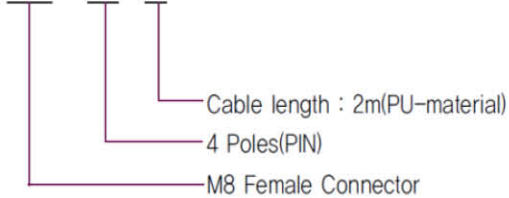
1. Bus cable	Description	Ordering No.
	Bus cables, M8 male connector with 4 Poles, 2 of DIN cables - 2off	BC M8-2D-1
	- Available with VCM8-4-2	



## Connection cables

1. Bus cable	Description	Ordering No.
	Connection cables for BC M8, M8 female connector (4poles), Cable length 2m, PU material	VCM8-4-2
	Connection cables for BC M8, M8 female connector (3poles), Cable length 2m, PU material	VCM8-3-2

### VC M8 - 4 - 2



[Connection diagram]