

H - Classic / H - Midiflex Pump

- Max. vacuum level : **-100.8 kPa** (-29.76 inHg)
- Max. flow rate : **1042 NI/min** (36.8 scfm)
- Supply air pressure : **4~6bar, max 7bar**
(58~87 psi, max 101.5psi)
- Supply air type : Dry compressed air
- Working temperature : -20°C ~ 80°C
- Noise level : 60 ~ 65 dBA

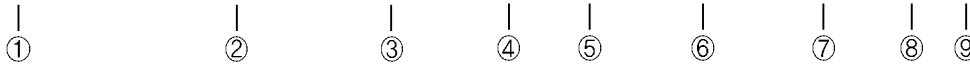


Main Advantages

The H-Classic / H-Midiflex range produces the very highest vacuum levels, whilst maintaining good flow rates for quick evacuation time. There are three models to choose from two classic sharp pumps and one midiflex pump, ranging from VTH50 to the VTH300. As with most of the other pumps there are options for an air saving kit, integral non return valve and Vitor® or EPDM seals.

Order No.

VTH50 - 1434 A - AS - A3 R3 - CL - SG2 N V



- ① Model - Capacity equivalent to electricity motor pump size
- **VTH50** - 0.30KW
 - VTH150** - 0.90KW
 - VTH300** - 1.00KW

- ② Connection plate

	Air port	Vacuum port	Mat'l	
VTH50, VTH150	1412 A	G1/4"	G1/2"	Aluminum
	1434 A	G1/4"	G3/4"	
	1401 A	G1/4"	G1"	
	N1412 A	NPT1/4"	NPT1/2"	
	N1434 A	NPT1/4"	NPT3/4"	
	N1401 A	NPT1/4"	NPT 1"	
VTH300	1812 P	G1/8"	G1/2"	All PPS
	1834 P	G1/8"	G3/4"	
	N1812 P	NPT1/8"	NPT1/2"	
	N1834 P	NPT1/8"	NPT3/4"	
VTH300	V34	G1/2"	2XG3/4"	
	V01	G1/2"	G1"	

- ※ Remark :
- Air supply port with air control valve or AS-kit
VTH50, VTH150 : G1/4"
VTH300 : G3/8"
 - PPS Mat'l is available with VTH50, VTH150

- ③ Air saving Kit
- No mark - Standard
 - **AS** - Air saving kit attached

- ④ Air supply control valve
- A1 - AC 110V
 - A2 - AC 220V
 - **A3** - DC 24V
 - D1* - AC 110V
 - D2* - AC 220V
 - D3* - DC 24V

D.* : Double solenoid valve
Double solenoid valve is available only with 'DN' or 'DL', section ⑥

- ⑤ Vacuum release control valve
- R1 - AC110V
 - R2 - AC220V
 - **R3** - DC24V

⑥ Solenoid Terminal

- DN - DIN type without lead wire
- DL - DIN type with lamp without lead wire

- **CL*** - Connector type with lamp & 0.3m lead wire
- 2B* - DIN type with '2 in 1' BUS cable
(Air control v/v + Vacuum release v/v)
- 3B* - DIN type with '3 in 1' BUS cable
(Air control v/v + Vacuum release v/v + Digital switch)

* Can not available with double solenoid valve

- ※ Remark
CL : Available only with DC24V
Can not available with VTH300
3B : Available only with DC24V
Available only with 'S2' or 'S2P', section ⑦
☞ About 'BUS cable'

- ⑦ Vacuum switch
- S2(P) - Digital output 2points, No analog supply
M8-4Pin male connector (0.3m lead wire)
 - **SG2(P)** - Digital output 2points, No analog supply
Grommet type 4-core 2m lead wire
 - SG3(P) - Digital output 2points, Analog supply
Grommet type 4-core 2m lead wire

※ Remark : ① S..(P)
Output type : PNP open collector.
② VCM8 42 : M8-4Pin female connector.
only for type S2(P)

- ⑧ Non-return valve
- No mark - Standard
 - **N** - Non-return valve

- ⑨ Sealing
- No mark - Standard (NBR)
 - **V** - Viton®
 - E** - EPDM

Characteristics

Model	max. vacuum -kPa(-inHg)	Max. vacuum flow (NI/m)	air consumption (NI/m)	noise level (dBA)	weight (g)	min hose inner Ø (within 2m)		
						air supply	vacuum	exhaust
VTH50	100,8 (29.76)	185	120-156	60-65	632	>8	>12	>12
VTH150		521	420-456	60-65	780	>8	>15	>15
VTH300		1042	870-912	60-65	2682	>10	>19	>22

Vacuum flow in (NI/m) at different Vacuum level (-kPa)

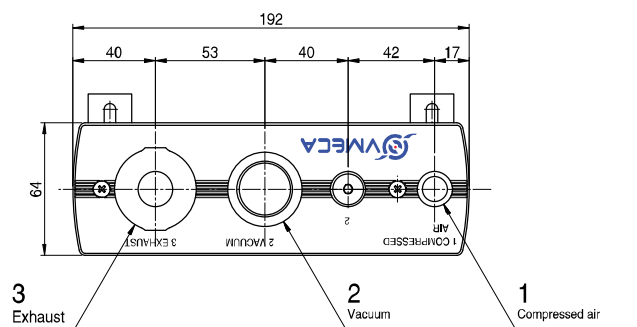
Model	-inHg -kPa	0	2.95	5.9	8.85	11.81	14.76	17.71	20.67	23.62	26.57	28.05	29.23
	0	10	20	30	40	50	60	70	80	90	95	99	
VTH50	185	147	106	66	32	21	15	9,6	7,8	3,6	1,2	0,3	
VTH150	521	423	307	198	105	78	54	39	27	7,8	3,6	0,48	
VTH300	1042	846	614	396	210	156	108	78	54	15,6	7,2	0,96	

Time in seconds to evacuate to vacuum level (sec/l)

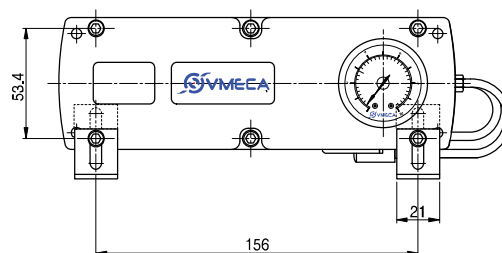
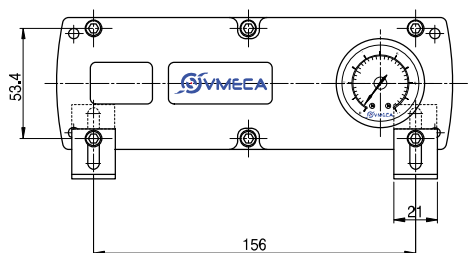
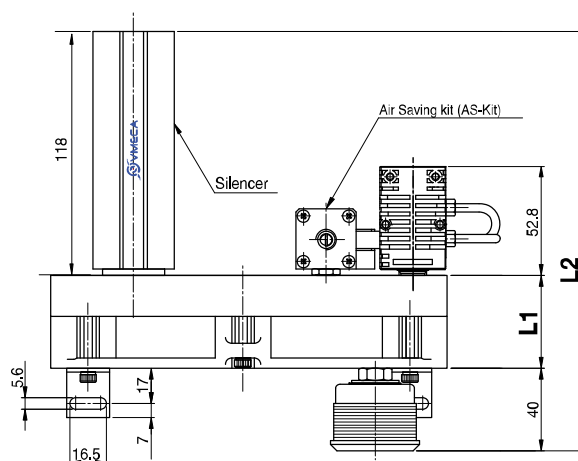
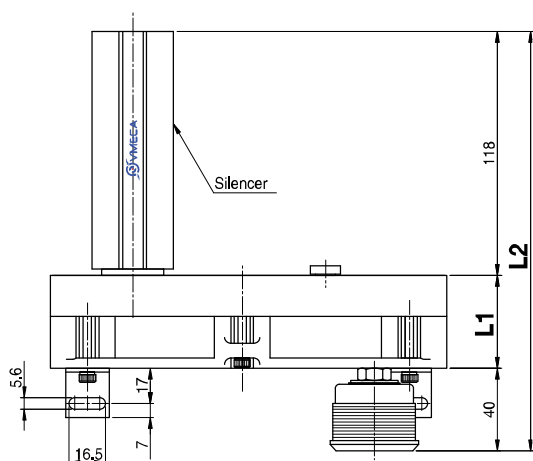
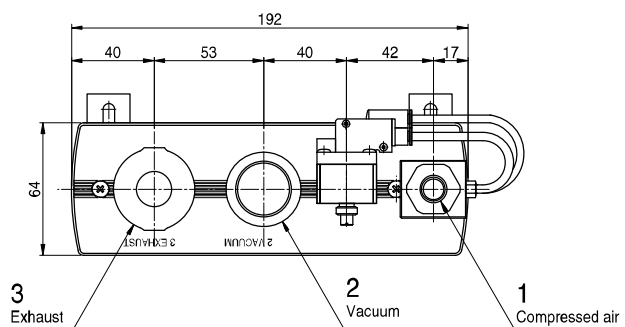
Model	-inHg -kPa	2.95	5.9	8.85	11.81	14.76	17.71	20.67	23.62	26.57	28.05	29.23
	10	20	30	40	50	60	70	80	90	95	99	
VTH50	0,029	0,07	0,12	0,25	0,55	0,92	1,446	2,2	3,39	4,986	9,18	
VTH150	0,011	0,025	0,05	0,097	0,17	0,272	0,41	0,6	1,17	1,82	3,586	
VTH300	0,006	0,013	0,025	0,048	0,085	0,136	0,205	0,3	0,585	0,91	1,798	

Dimensional Information

Standard



with AS - KIT



[Measure unit : mm]

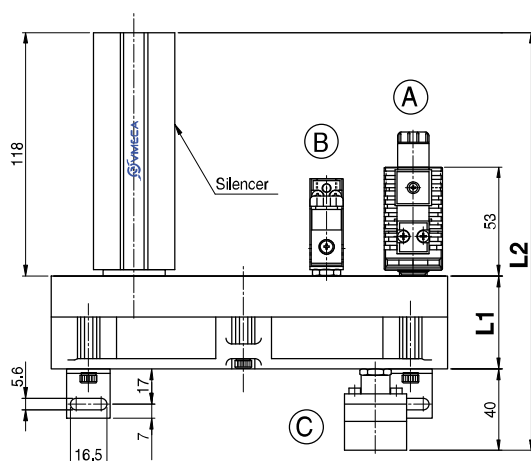
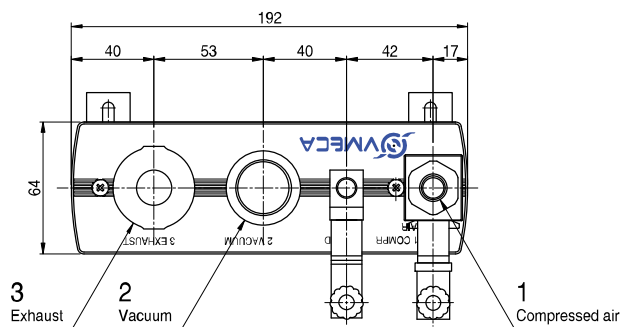
Port 1 : G1/4", NPT1/4"
 Port 2 : G1/2", G3/4", G1"
 NPT1/2", NPT3/4", NPT 1"
 Port 3 : G3/4"

	(mm)	
Model	L1	L2
VTH50	45.5	203.5
VTH150	65	223

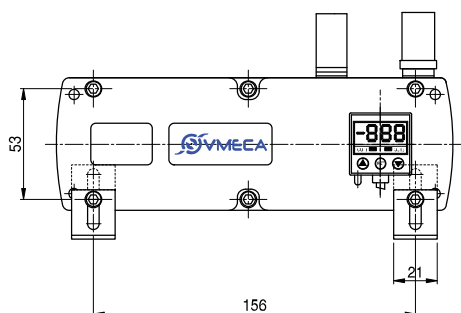
Port 1 : G1/4", NPSF 1/4"
 Port 2 : G1/2", G3/4", G 1"
 NPT1/2", NPT3/4", NPT 1"
 Port 3 : G3/4"

Dimensional Information

Air supply control valve
 Vacuum release control valve
 Digital display vacuum switch



- Ⓐ Air supply control valve
- Ⓑ Vacuum release control valve
- Ⓒ Digital display vacuum switch



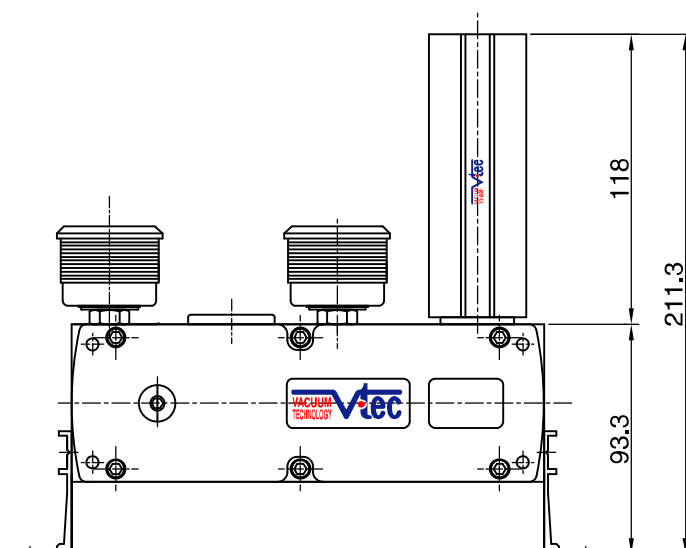
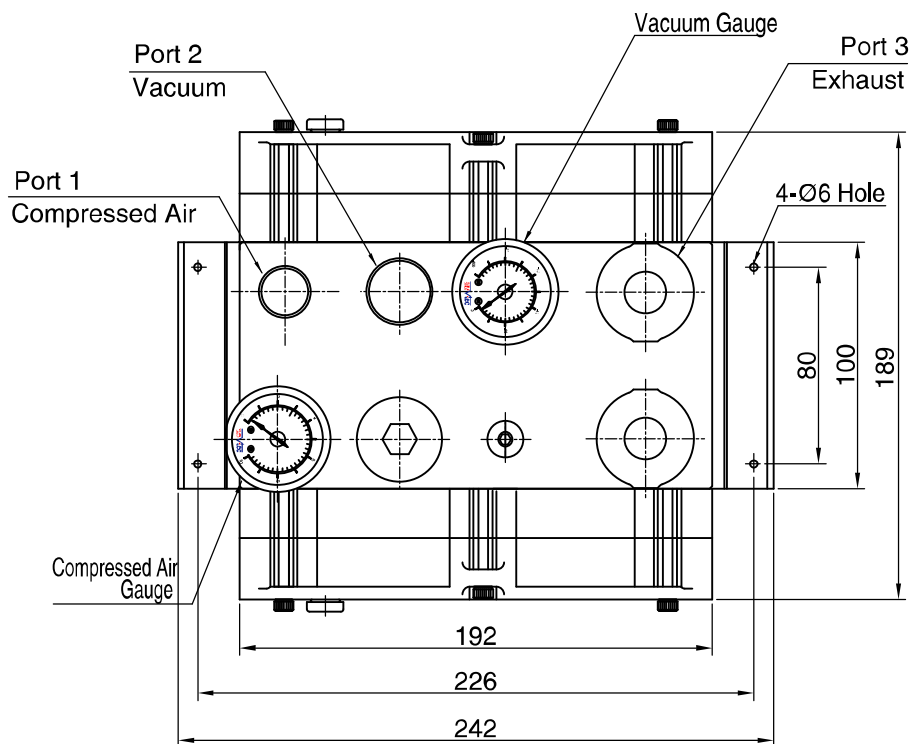
[Measure unit : mm]

Port 1 : G1/4", NPSF 1/4"
 Port 2 : G1/2", G3/4", G 1"
 NPT1/2", NPT3/4", NPT 1"
 Port 3 : G3/4"

	(mm)	
Model	L1	L2
VTH50	45.5	206.5
VTH150	65	226

Dimensional Information

Standard
VTH 300

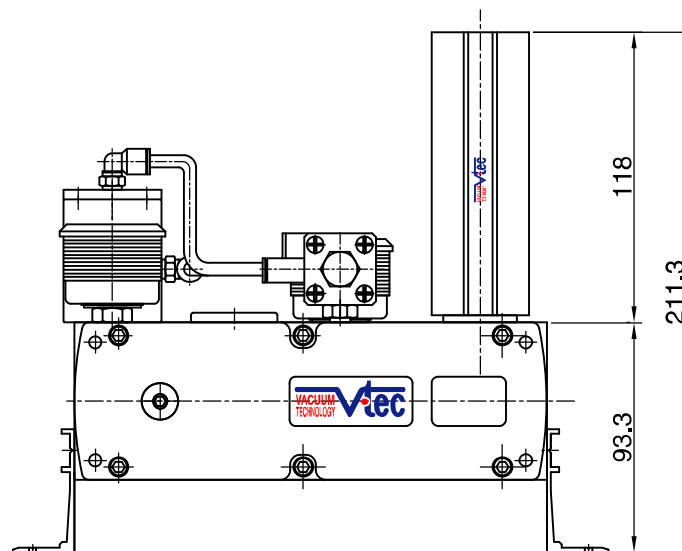
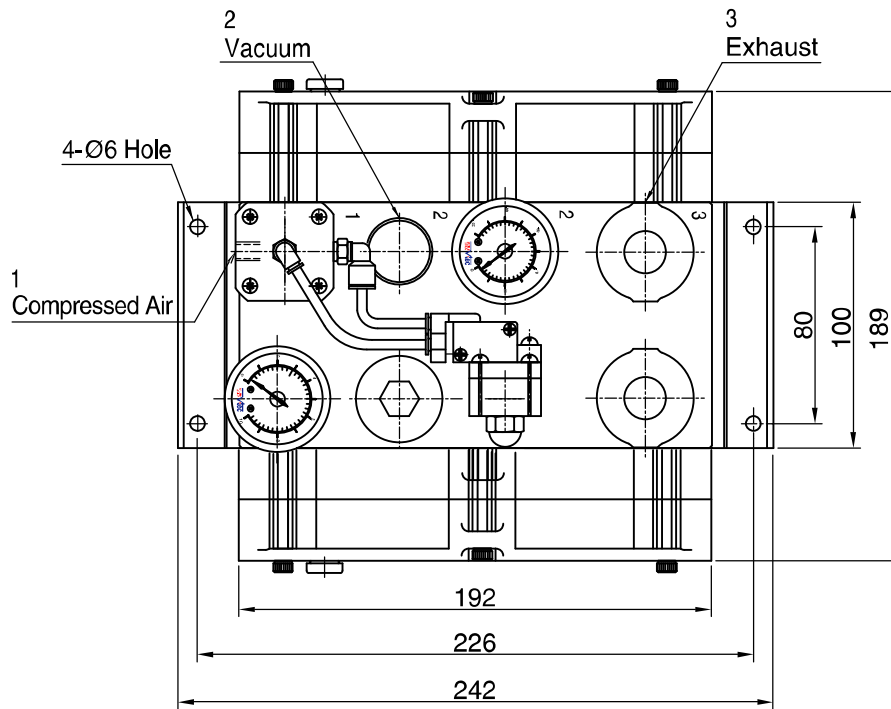


[Measure unit : mm]

- Port1 : G1/2"
- Port2 : 2xG3/4" (V34), G1" (V01)
- Port3 : 2xG3/4"

Dimensional Information

with AS - KIT



[Measure unit : mm]

- Port1 : G3/8"
- Port2 : 2xG3/4" (V34), G1"(V01)
- Port3 : 2xG3/4"