

## GM 130 series

### Features and Strengths

- Integrated VMECA cartridge technology inside
- Handles various products with different shapes, sizes and porous material
- Flexible sealing foam (EPDM) for excellent gripping
- Check valve and filter integrated
- Durable and light weight aluminum body frame
- Easy Installation and low maintenance



### Specifications

Spec.	GM130
Max. Vacuum level	-75 kPa
Max. Open Vacuum flow	2,896 Nl/min
Max. Feed pressure	7 bar
Temperature	-20 ~ 80 °C
Noise level	55 ~ 65 dbA

### Characteristics

Model	Air inlet Pressure Mpa (psi)	Air consumption N/m (scfm)	Max. Vacuum flow N/m (scfm)	Max. Vacuum level -kPa (-mmHg)
GM130X220-L4	0.6 (87)	416 (14.6)	800 (28)	75 (563)
GM130X300-L4	0.6 (87)	416 (14.6)	1,448 (51.1)	75 (563)
GM130X400-L4	0.6 (87)	416 (14.6)	1,448 (51.1)	75 (563)
GM130X600-L8	0.6 (87)	832 (29.1)	2,896 (102.3)	75 (563)
GM130X800-L8	0.6 (87)	832 (29.1)	2,896 (102.3)	75 (563)
GM130X1000-L8	0.6 (87)	832 (29.1)	2,896 (102.3)	75 (563)
GM130X1200-L8	0.6 (87)	832 (29.1)	2,896 (102.3)	75 (563)

### Holding Force Ratio according to Length

#### ■ EL type (Oval shape suction hole)

Model	Holding force at 40% Sealing (N)	Holding force at 60% Sealing (N)	Holding force at 80% Sealing (N)	Holding force at 100% Sealing (N)	Product weight (Kg)
GM130X220-L4-EL	373	732	917	1261	1.30
GM130X300-L4-EL	610	1033	1448	1792	1.70
GM130X400-L4-EL	1005	1450	1751	2472	2.20
GM130X600-L8-EL	1228	2029	2834	3178	3.40
GM130X800-L8-EL	1495	2404	3517	3764	4.30
GM130X1000-L8-EL	1713	2842	3963	4653	5.30
GM130X1200-L8-EL	1993	3133	4531	5147	6.20

\* The holding force above is actual test result, not considered with a safety factor.

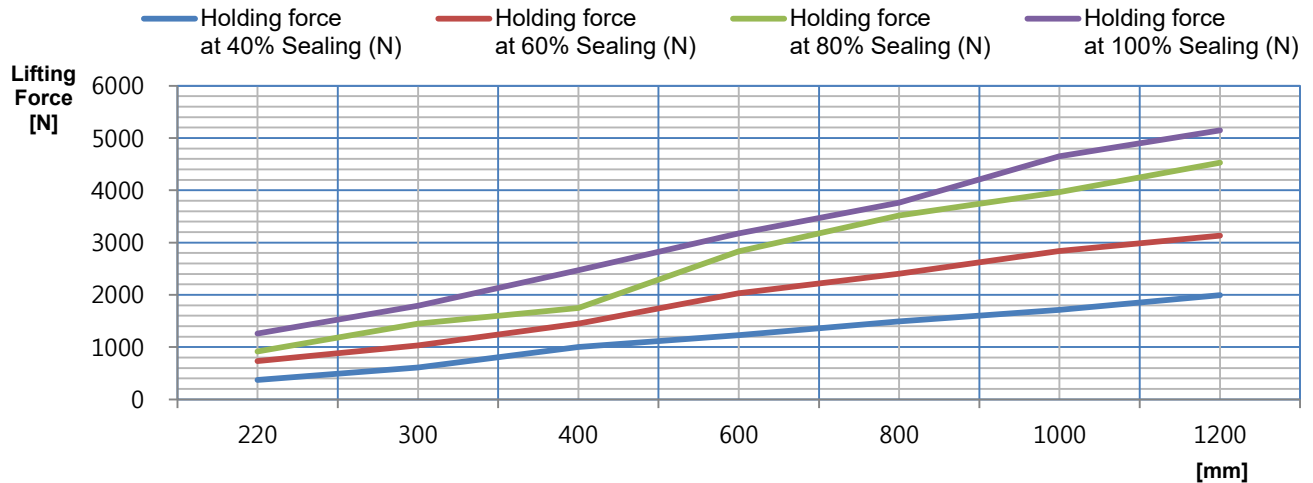
## Holding Force Ratio according to Length

### ■ ES type (Round shape suction hole)

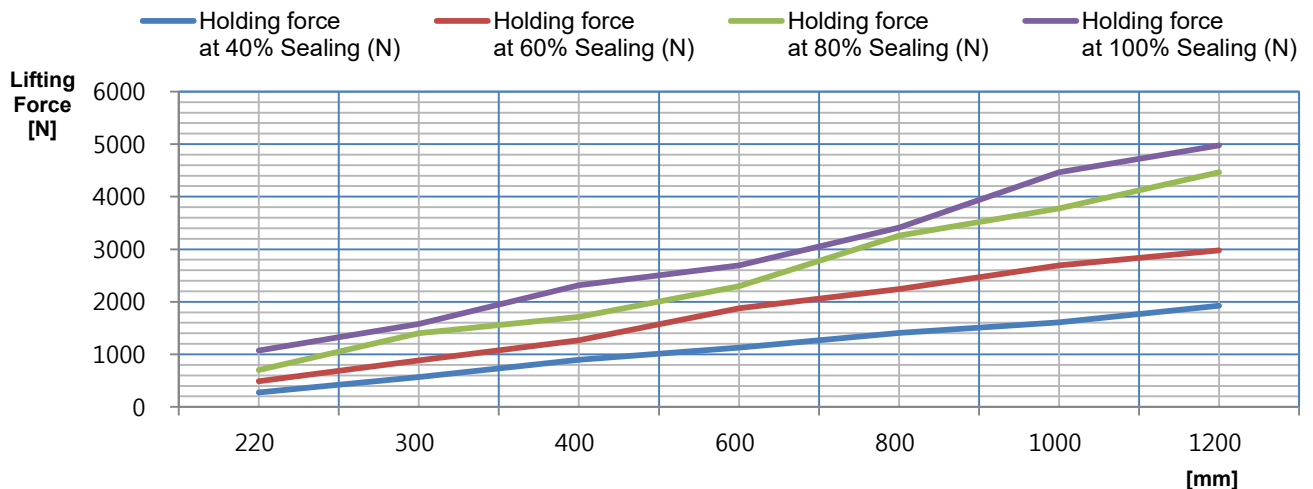
Model	Holding force at 40% Sealing (N)	Holding force at 60% Sealing (N)	Holding force at 80% Sealing (N)	Holding force at 100% Sealing (N)	Product weight (Kg)
GM130X220-L4-ES	273	490	704	1072	1.3
GM130X300-L4-ES	565	883	1401	1578	1.7
GM130X400-L4-ES	896	1270	1710	2318	2.2
GM130X600-L8-ES	1130	1876	2296	2692	3.4
GM130X800-L8-ES	1408	2244	3259	3410	4.3
GM130X1000-L8-ES	1611	2693	3779	4467	5.3
GM130X1200-L8-ES	1928	2977	4463	4979	6.2

\* The holding force above is actual test result, not considered with a safety factor.

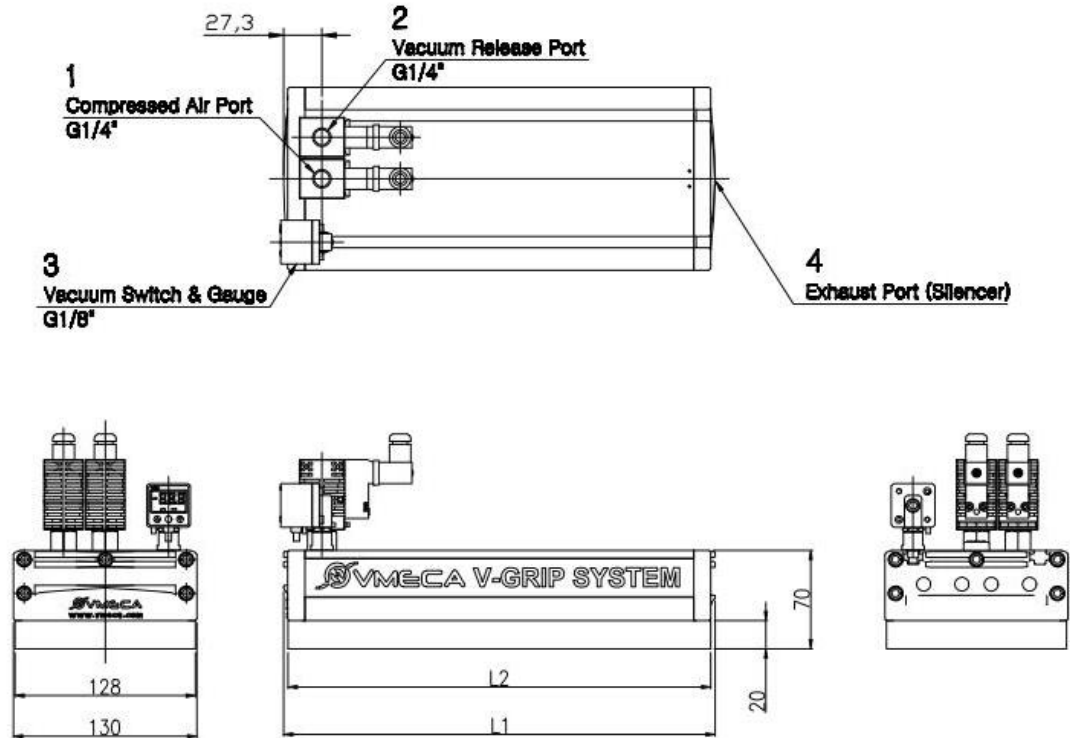
### ■ EL type



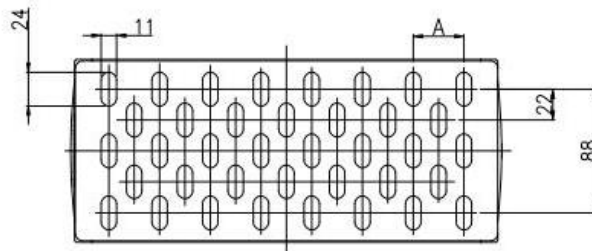
### ■ ES type



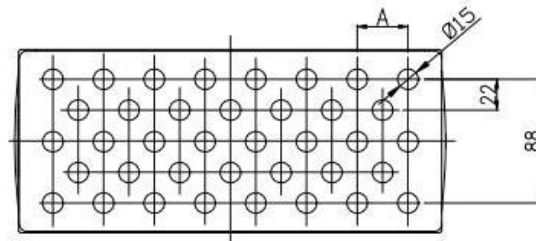
## Dimensions – GM130 series (220~400mm)



► EL type



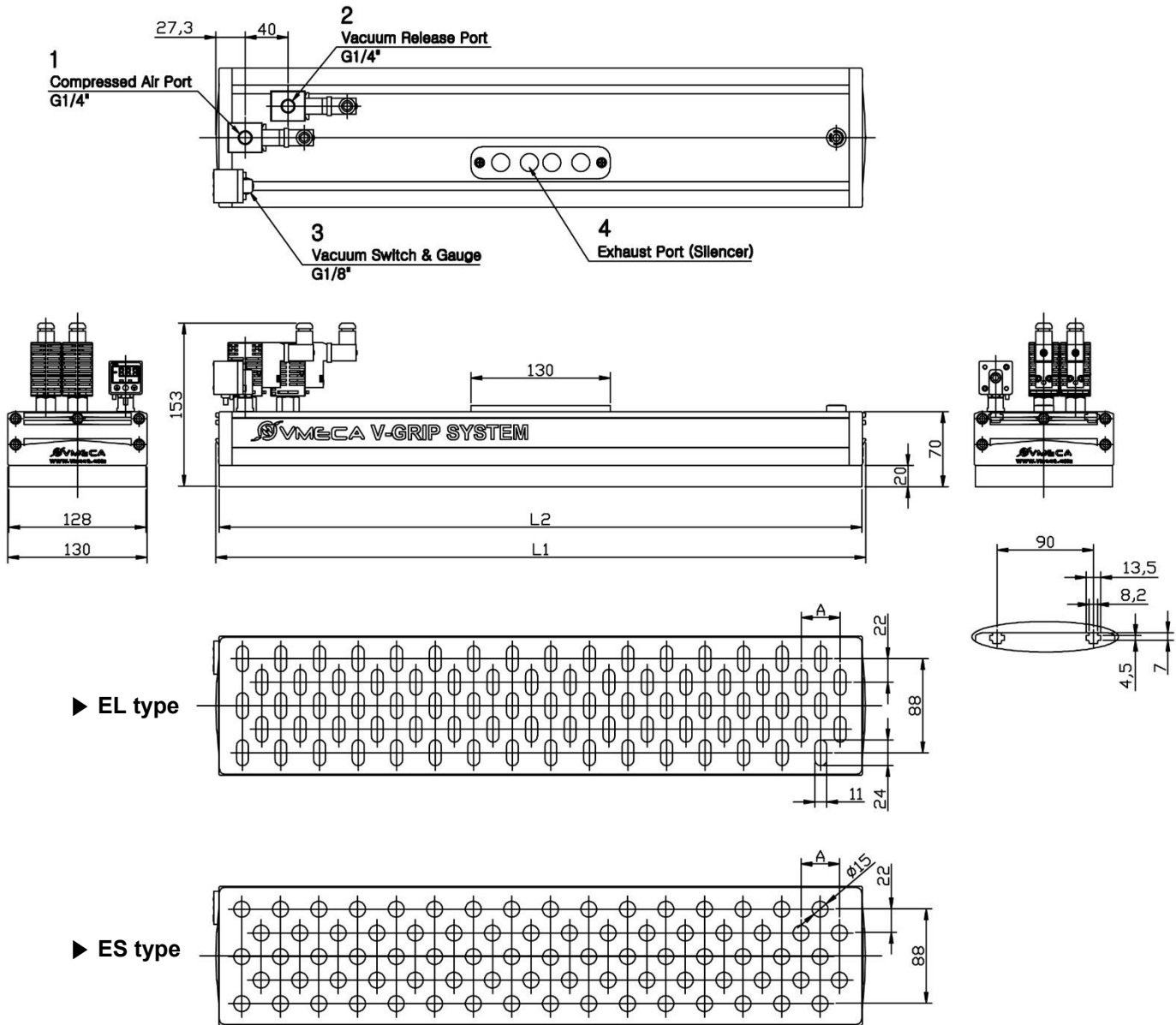
► ES type



[ Unit : mm ]

Model	Length	Sponge pad length	Vacuum port	Compressed air valve	Vacuum release valve
	L1	L2	The number of port	Type	Type
GM130X220	226.3	220	28	VMS14	VMS14
GM130X300	306.3	300	38	VMS14	VMS14
GM130X400	406.3	400	53	VMS14	VMS14

## Dimensions – GM130 series (600~1200mm)

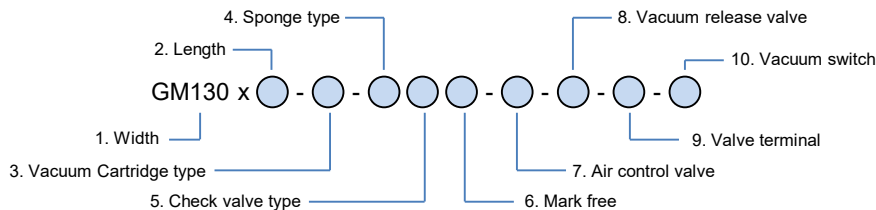


[ Unit : mm ]

Model	Length	Sponge pad length	Vacuum port		Compressed air valve	Vacuum release valve
	L1	L2	The number of port	A	Type	Type
GM130X600	606.6	600	80	36	VMS14 VMS38	VMS14
GM130X800	806.6	800	98	40	VMS14 VMS38	VMS14
GM130X1000	1006.6	1000	123	40	VMS14 VMS38	VMS14
GM130X1200	1206.6	1200	148	40	VMS14 VMS38	VMS14

\* 2~6 cartridges model : VMS14 valve, 7~8 cartridges model : VMS38 valve on Compressed air valve section

## Build an Ordering No.



1. Width	Description	Ordering No.
	GM series, Width 130mm	GM130

2. Length	Description	Ordering No.
	Length 220mm	220
	Length 300mm	300
	Length 400mm	400
	Length 600mm	600
	Length 800mm	800
	Length 1000mm	1000
	Length 1200mm	1200

3. Vacuum Cartridge type	Description	Ordering No.
	VCL302 2-cartridges for length 220mm	LC2
	VCL302 3-cartridges for length 220mm	LC3
	VCL302 4-cartridges for length 220mm	LC4
	VCL303 2-cartridges for length 300~1200mm	L2
	VCL303 3-cartridges for length 300~1200mm	L3
	VCL303 4-cartridges for length 300~1200mm	L4
	VCL303 5-cartridges for length 600~1200mm	L5
	VCL303 6-cartridges for length 600~1200mm	L6
	VCL303 7-cartridges for length 600~1200mm	L7
	VCL303 8-cartridges for length 600~1200mm	L8

4. Sponge type	Description	Ordering No.
	Oval shape suction hole	EL
	Round shape suction hole	ES

5. Check valve type	Description	Ordering No.
	For non-leakage application	1
	For leakage rate 1~10% application	2
	* The result above is with VSM203 and VU50 suction cup and it is for your reference, not for absolute standard.	

6. Mark free	Description	Ordering No.
	Standard (No mark free)	Blank
	Mark free	A

7. Air control valve	Description	Ordering No.
	No air control valve	Blank
	Air control valve, AC110V	A1
	Air control valve, AC220V	A2
	Air control valve, DC24V	A3
	Double air control valve, AC110V	D1
	Double air control valve, AC220V	D2
	Double air control valve, DC24V	D3

## Build an Ordering No.

8. Vacuum release valve	Description	Ordering No.
	No vacuum release valve	Blank
	Vacuum release valve, AC110V	R1
	Vacuum release valve, AC220V	R2
	Vacuum release valve, DC24V	R3

9. Valve terminal	Description	Ordering No.
	Solenoid Terminal, DIN, Lamp, No LW	DL

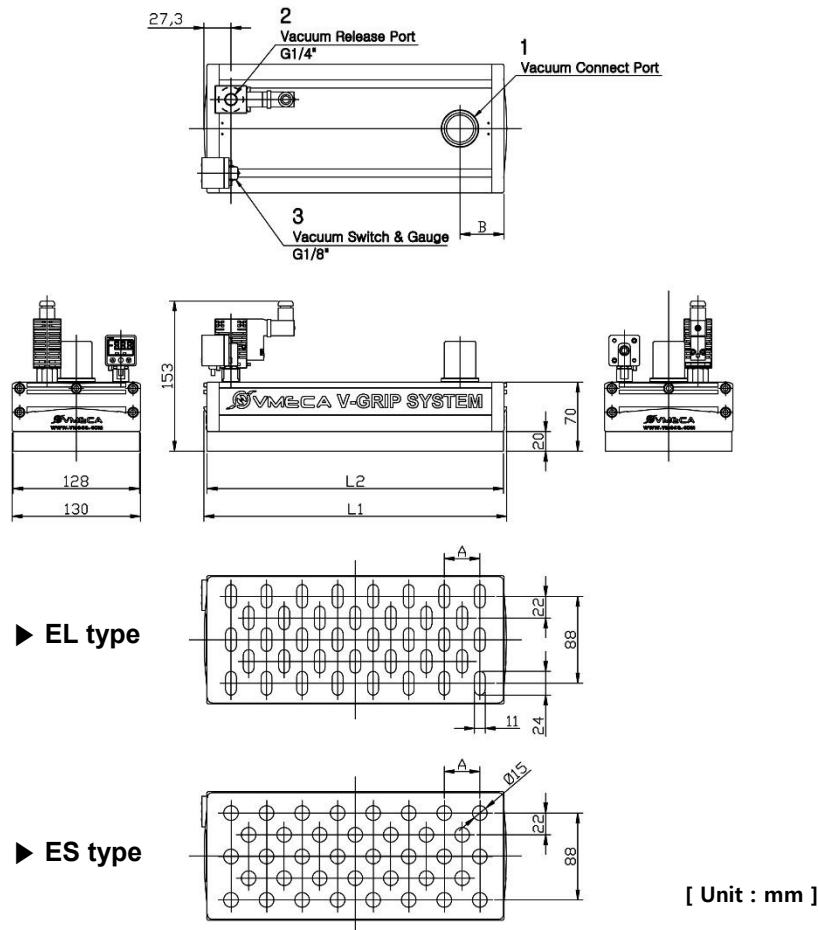
10. Vacuum switch	Description	Ordering No.
	No vacuum switch	Blank
	Digital switch, No analog supply, M8-4pins, NPN	S2
	Digital switch, No analog supply, M8-4pins, PNP	S2P
	Digital switch, No analog supply, Grommet, NPN	SG2
	Digital switch, No analog supply, Grommet, PNP	SG2P
	Digital switch, Analog supply, Grommet, NPN	SG3
	Digital switch, Analog supply, Grommet, PNP	SG3P
	- VC M8-4-2 : M8-4 pin female connector option for 'S2' or 'S2P'	

## GMF 130 series

### Features and Strengths

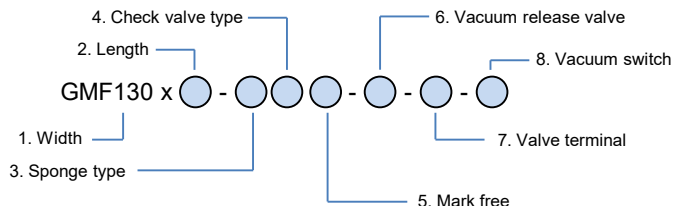
- Available for easy connection with various VMECA vacuum pump
- Handles various products with different shapes, sizes and porous material
- Flexible sealing foam (EPDM) for excellent gripping
- Check valve and filter integrated
- Durable and light weight aluminum body frame
- Easy Installation and low maintenance

### Dimensions – GMF130 series



Model	Length	Sponge Pad Length	Vacuum port		Vacuum connect port		Vacuum release valve
	L1	L2	The number of port	A	diameter	B	Type
GMF130X220	226.6	220	28	36	32	47.3	VMS14
GMF130X300	306.6	300	38	36	32	47.3	VMS14
GMF130X400	406.6	400	53	36	32	47.3	VMS14
GMF130X600	606.6	600	80	36	32	47.3	VMS14
GMF130X800	806.6	800	98	40	60	55.3	VMS14
GMF130X1000	1006.6	1000	123	40	60	55.3	VMS14
GMF130X1200	1206.6	1200	148	40	60	55.3	VMS14

## Build an Ordering No.



1. Width	Description	Ordering No.
	GMF series, Width 130mm	<a href="#">GMF130</a>

2. Length	Description	Ordering No.
	Length 220mm	<a href="#">220</a>
	Length 300mm	<a href="#">300</a>
	Length 400mm	<a href="#">400</a>
	Length 600mm	<a href="#">600</a>
	Length 800mm	<a href="#">800</a>
	Length 1000mm	<a href="#">1000</a>
	Length 1200mm	<a href="#">1200</a>

3. Sponge type	Description	Ordering No.
	Oval shape suction hole	<a href="#">EL</a>
	Round shape suction hole	<a href="#">ES</a>

4. Check valve type	Description	Ordering No.
	For non-leakage application	<a href="#">1</a>
	For leakage rate 1~10% application	<a href="#">2</a>
	* The result above is with VSM203 and VU50 suction cup and it is for your reference, not for absolute standard.	

5. Mark free	Description	Ordering No.
	Standard	<a href="#">Blank</a>
	Mark free	<a href="#">A</a>

6. Vacuum release valve	Description	Ordering No.
	No vacuum release valve	<a href="#">Blank</a>
	Vacuum release valve, AC110V	<a href="#">R1</a>
	Vacuum release valve, AC220V	<a href="#">R2</a>
	Vacuum release valve, DC24V	<a href="#">R3</a>

7. Valve terminal	Description	Ordering No.
	Solenoid Terminal, DIN, Lamp, No LW	<a href="#">DL</a>

8. Vacuum switch	Description	Ordering No.
	No vacuum switch	<a href="#">Blank</a>
	Digital switch, No analog supply, M8-4pins, NPN	<a href="#">S2</a>
	Digital switch, No analog supply, M8-4pins, PNP	<a href="#">S2P</a>
	Digital switch, No analog supply, Grommet, NPN	<a href="#">SG2</a>
	Digital switch, No analog supply, Grommet, PNP	<a href="#">SG2P</a>
	Digital switch, Analog supply, Grommet, NPN	<a href="#">SG3</a>
	Digital switch, Analog supply, Grommet, PNP	<a href="#">SG3P</a>
	- VC M8-4-2 : M8-4 pin female connector option for 'S2' or 'S2P'	