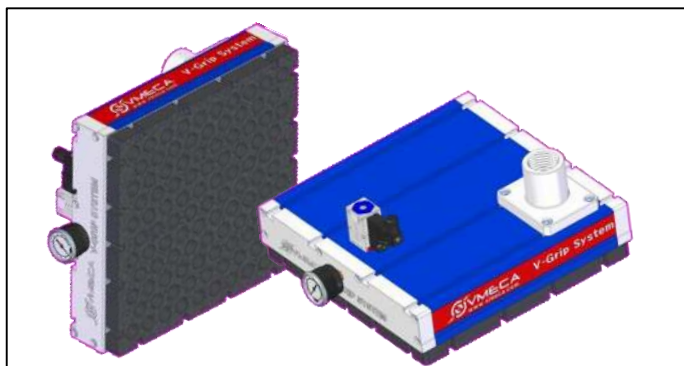


GF 300 Series



Features

- ✓ Available with easy connection on various **VMECA** vacuum pump
- ✓ Handles various products with different shapes, sizes and porous material
- ✓ Flexible sealing foam (EPDM) sponge pad grips excellently
- ✓ Adjustable check valve available
- ✓ Durable and light weight aluminum extrusion body frame
- ✓ Easy Installation and low maintenance

Ordering Information

GF 300 X 300 - E S - R3 DN - G

① ② ③ ④ ⑤ ⑥ ⑦

① G Series (width)

- **GF 300** - 304mm

② Length

- **300** - 300mm
- **400** - 400mm
- **600** - 600mm
- **800** - 800mm
- **1000** - 1000mm
- **1200** - 1200mm

③ Check Valve

- **E** - Standard
- **A** - Adjustable

④ Port Spacing

- **E** - Standard
- **A** - Adjustable

⑤ Release Valve

- **R1** - N/C, AC110V
- **R2** - N/C, AC220V
- **R3** - N/C, DC24V

Valve's selection according to the No. ② Length
 Under 600mm : VMS18D
 Over 600mm : VMS14

⑥ Solenoid Terminal

- **DN** - DIN type without lead wire
- **DL** - DIN type with lamp without lead wire
- **CL** - Connector Type with lamp & 0.3 m lead wire

⑦ Vacuum Switch

- **G** - Dial Gauge Attached (VTG-18)
- - - Not attached
- **S2(P)** - Digital output 2 points, No analog supply M8-4Pin male connector (0.3m lead wire)
- **SG2(P)** - Digital output 2 points, No analog supply (Grommet type 4 core, 2m lead wire)
- **SG3(P)** - Digital output 2 points, Analog Supply (Grommet type 5 core, 2m lead wire)

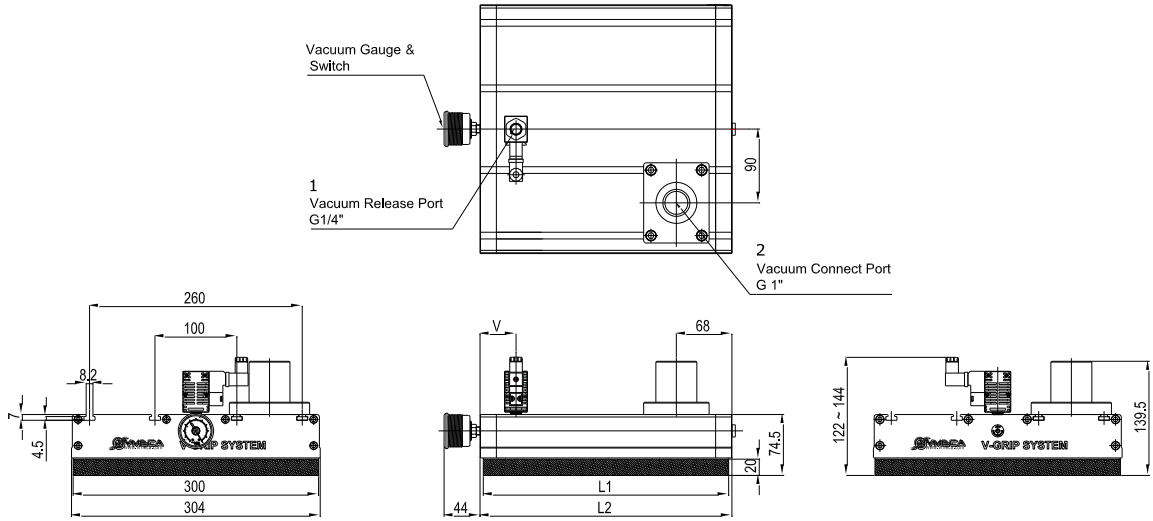
※Mark : ① S..(P)

L Output type : PNP open collector

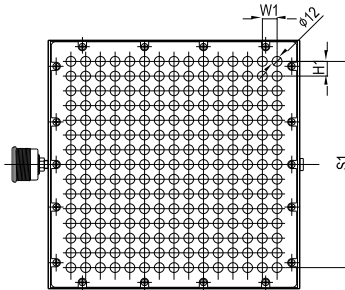
② VC M8-4-2 : M8-4 pin female connector
 Option for 'S2' or 'S2P'

Dimensions

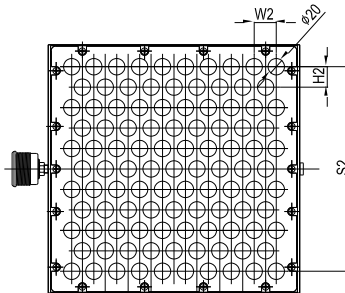
▼ GF 300 ... Series



► Standard ES



► Adjustable AW



Measure Unit : mm

Model	Full Length	Sponge Pad Length	Standard Vacuum Port (Φ12)			Adjustable Vacuum port (Φ20)			Release Valve			
	L1	L2	No.	W1	H1	S1	No.	W2	H2	S2	V	Type
GF 300 X 300...	308	300	225	18	18	252	105	14	25	250	61.7	VMS18D
GF 300 X 400...	408	400	180	25	22	242	108	20	25	242	44	VMS18D
GF 200 X 600...	608	600	176	25	22	154	76	20	24	148	44	VMS14
GF 200 X 800...	808	800	248	25	22	154	104	20	24	148	44	VMS14
GF200 X 1000...	1008	1000	312	25	22	154	133	20	24	148	44	VMS14
GF 200 X 1200...	1208	1200	376	25	22	154	156	20	24	148	44	VMS14