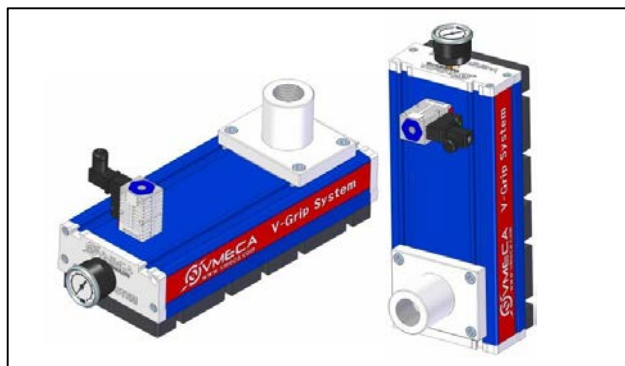


GF 130 Series



Features

- ✓ Available with easy connection on various **VMECA** vacuum pump
- ✓ Handles various products with different shapes, sizes and porous material
- ✓ Flexible sealing foam(EPDM) sponge pad grips excellently
- ✓ Adjustable check valve available
- ✓ Durable and light weight aluminum extrusion body frame
- ✓ Easy Installation and low maintenance

Ordering Information

GF 130 X 300 - E S - R3 DN - G

① ② ③ ④ ⑤ ⑥ ⑦

① Gripper Series (Width)

- **GF 130** - 134mm

② Length

- 220 - 220mm
- **300** - 300mm
- 400 - 400mm
- 600 - 600mm
- 800 - 800mm
- 1000 - 1000mm
- 1200 - 1200mm

③ Check Valve

- **E** - Standard
- A** - Adjustable

④ Port Spacing

- **S** - Narrow
- W** - Wide

⑤ Release Valve

- R1 - N/C, AC110V
- R2 - N/C, AC220V
- **R3** - N/C, DC24V

Valve's selection according to the
No. ② Length
Under 600mm : VMS18D
Over 600mm : VMS14

⑥ Solenoid Terminal

- **DN** - DIN type without lead wire
- DL** - DIN type with lamp without lead wire
- Connector Type with
- CL** - lamp & 0.3 m lead wire

⑦ Vacuum Switch

- **G** - Dial Gauge Attached (VTG-18)
- - Not attached
- S2(P)** - Digital output 2 points, No analog supply
M8-4Pin male connector (0.3m lead wire)
- SG2(P)** - Digital output 2 points, No analog supply
(Grommet type 4 core, 2m lead wire)
- SG3(P)** - Digital output 2 points, Analog Supply
(Grommet type 5 core, 2m lead wire)

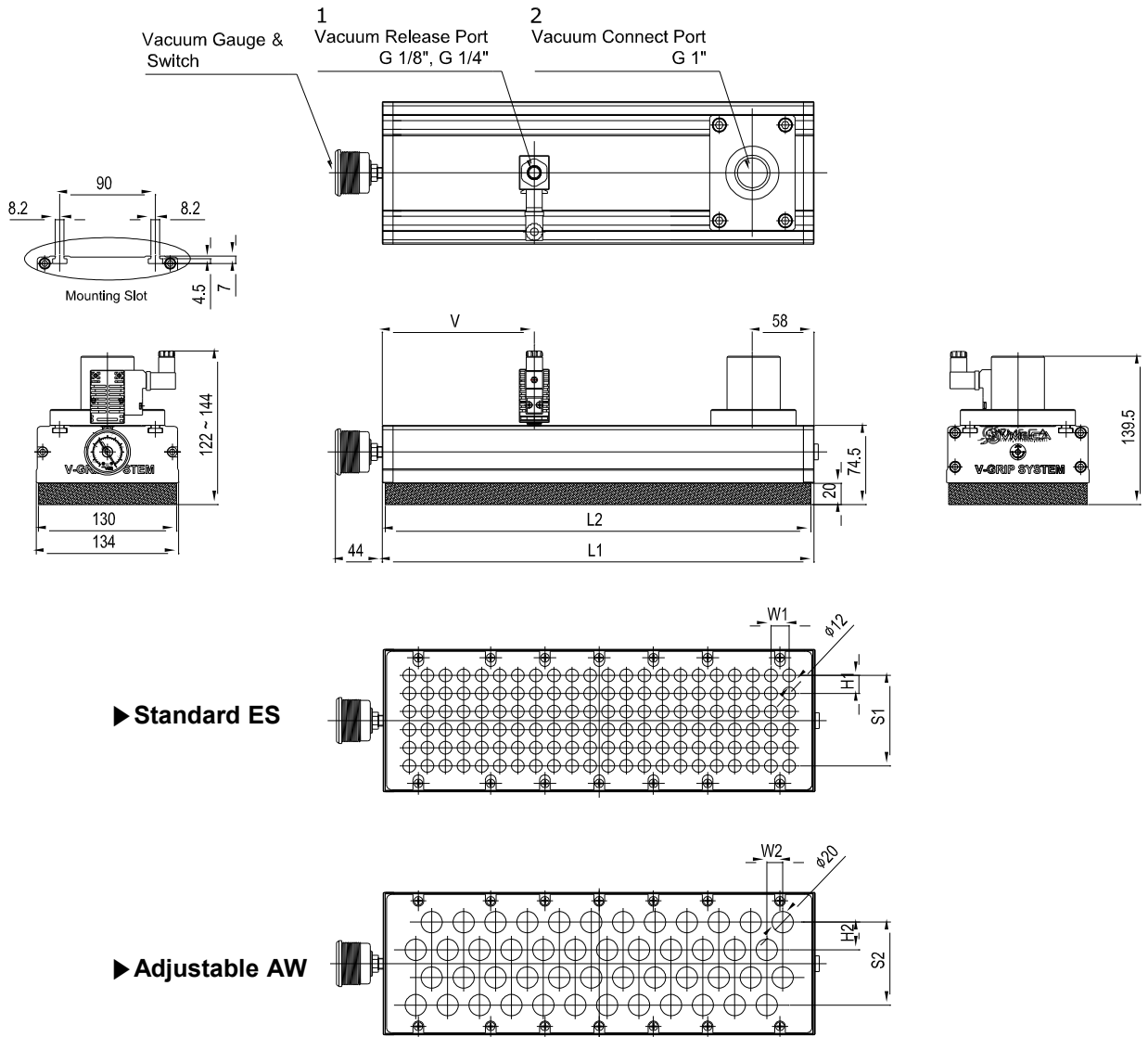
※Mark : ① S..(P)

L Output type : PNP open collector

② VC M8-4-2 : M8-4 pin female connector
Option for 'S2' or 'S2P'

Dimensions

▼ GF 130 ... Series



Measure Unit : mm

Model	Full Length	Sponge Pad Length	Standard Vacuum Port (Φ12)				Adjustable Vacuum port (Φ20)				Release Valve	
	L1		L2	No.	W1	H1	S1	No.	W2	H2	S2	V
GF 130 X 220...	234	220	66	17	17	85	26	14	24	72	33	VMS18D
GF 130 X 300...	314	300	96	17	17	85	38	14	25	72	33	VMS18D
GF 130 X 400...	414	400	132	17	17	85	48	14	26	72	133	VMS18D
GF 130 X 600...	614	600	156	22	18	90	76	15	26	78	263	VMS14
GF 130 X 800...	814	800	210	22	18	90	104	15	26	78	263	VMS14
GF130 X 1000...	1028	1000	348	17	17	85	133	18.5	21	79	263	VMS14
GF 130 X 1200...	1214	1200	324	22	18	90	156	15	26	78	263	VMS14