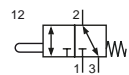


Technical details

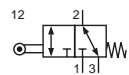
Connection	G1/8
Nominal size	4 mm
Temperature range	-10°C ... +70°C
Medium	Filtered, oil-free and dried compressed air according to ISO 8573-1:2010, Class 7:2:4, instrument air, free of aggressive additives. Alternatively the pressure dew point must be at least 10°C below lowest occurring ambient temperature.
Materials	Body: Al (anodized), seals: NBR, inner parts: stainless steel and brass, stem: stainless steel (E), plastic (ER, EL), roller: plastic, lever: Al (anodized), brass



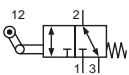
Mechanically operated spool valve.

3/2-way valves


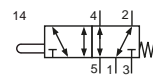
E-18-310
3/2-way, mechanical spring return, stem operated



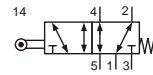
ER-18-310
3/2-way, mechanical spring return, roller operated



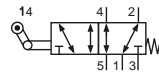
EL-18-310
3/2-way, mechanical spring return, roller operated with free return

5/2-way valves


E-18-510
5/2-way, mechanical spring return, stem operated



ER-18-510
5/2-way, mechanical spring return, roller operated



EL-18-510
5/2-way, mechanical spring return, roller operated with free return

Technical data

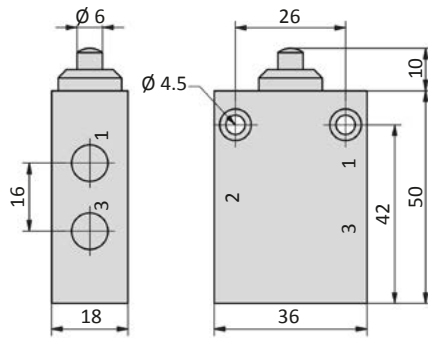
Model-no.:	E-18-310	ER-18-310	EL-18-310
Operating pressure (bar)	0 ... 12	0 ... 12	0 ... 12
Flow rate (NI/min)	320	320	320
Actuating force at 6 bar (N)	27	17	17
Pre-stroke (mm)	1.5	2.5	2.5
Actuation stroke (mm)	2.5	2.5	2.5
Pre actuation stroke (mm)	1	3.5	3.5
Weight (kg)	0.094	0.102	0.099

Model-no.:	E-18-510	ER-18-510	EL-18-510
Operating pressure (bar)	0 ... 12	0 ... 12	0 ... 12
Flow rate (NI/min)	320	320	320
Actuating force at 6 bar (N)	27	17	17
Pre-stroke (mm)	1.5	2.5	2.5
Actuation stroke (mm)	2.5	2.5	2.5
Pre actuation stroke (mm)	1	3.5	3.5
Weight (kg)	0.118	0.125	0.123

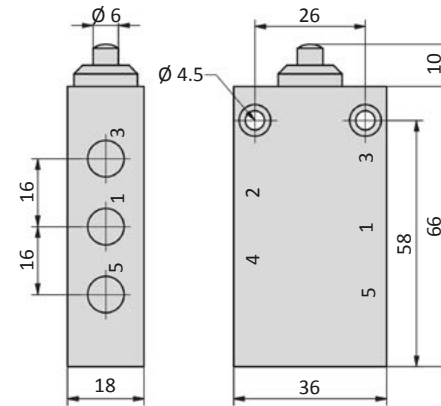
Series E-18

Dimensions

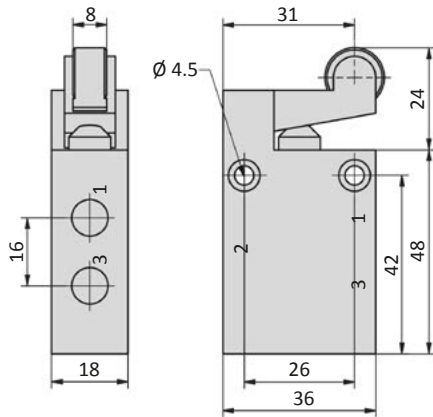
E-18-310



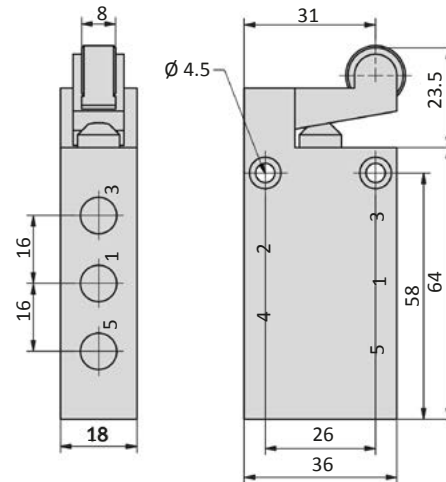
E-18-510



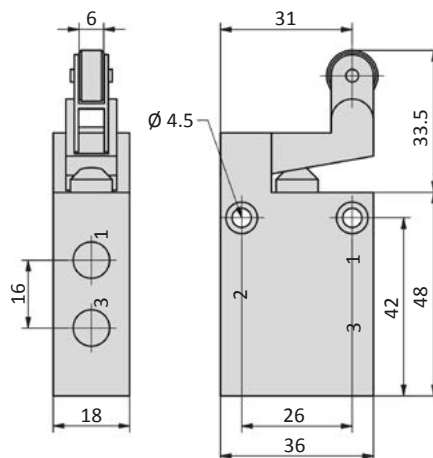
ER-18-310



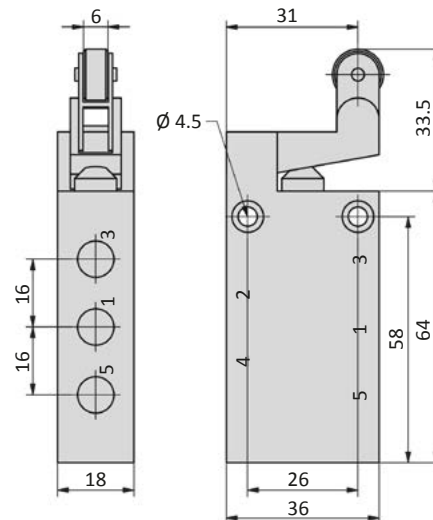
ER-18-510



EL-18-310



EL-18-510



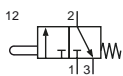
- 1 = pressure inlet
- 2,4 = outlets
- 3,5 = exhausts

Technical details

Connection	M5
Nominal size	2 mm
Temperature range	-10°C ... +70°C
Medium	Filtered, oil-free and dried compressed air according to ISO 8573-1:2010, Class 7:2:4, instrument air, free of aggressive additives. Alternatively the pressure dew point must be at least 10°C below lowest occurring ambient temperature.
Materials	Body: Al (anodized), seals: FKM, NBR, inner parts: stainless steel, brass, stem: stainless steel



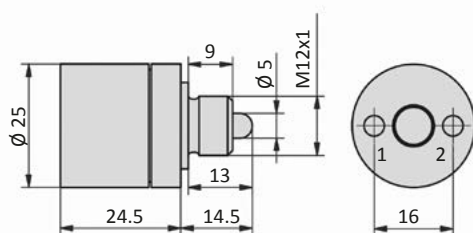
Mechanically operated seat valve.

3/2-way valve


E-30-311-M12
 3/2-way, mechanical spring return,
 stem operated

Technical data

Model-no.:	E-30-311-M12
Operating pressure (bar)	0 ... 12
Flow rate (NI/min)	110
Actuating force at 6 bar (N)	21
Pre-stroke (mm)	1
Actuation stroke (mm)	1
Pre actuation stroke (mm)	2
Weight (kg)	0.037

Dimensions
E-30-311-M12


- 1 = pressure inlet
- 2 = outlet

