

Series DR

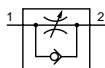
Technical details

Temperature range	-10°C ... +70°C
Medium	Filtered, oil-free and dried compressed air according to ISO 8573-1:2010, Class 7:2:4, instrument air, free of aggressive additives. Alternatively the pressure dew point must be at least 10°C below lowest occurring ambient temperature.
Materials	Body: Al (anodized), seals: NBR



This valve is used for the speed control of a pneumatic cylinder. The flow rate can be regulated by turning the adjusting screw.

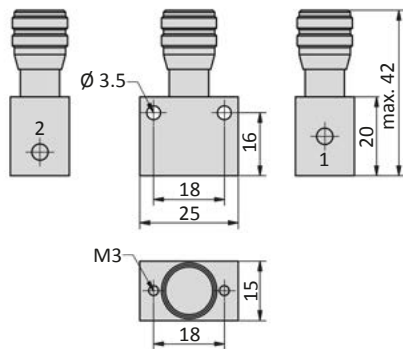
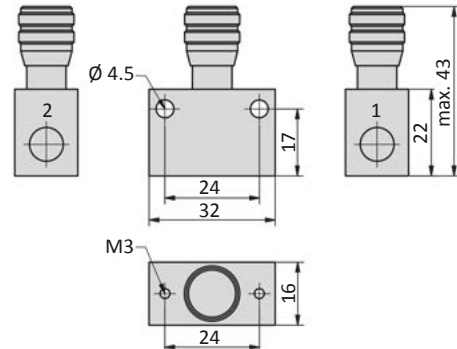
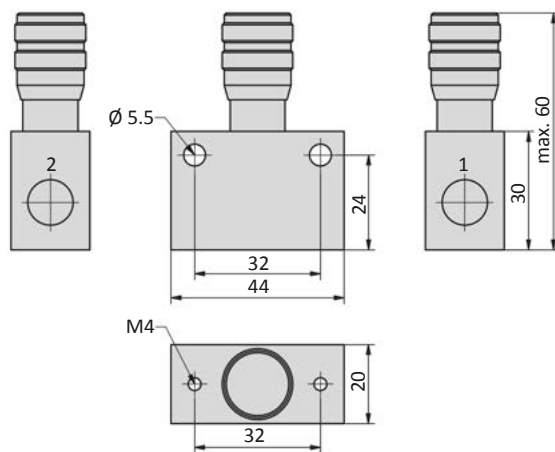
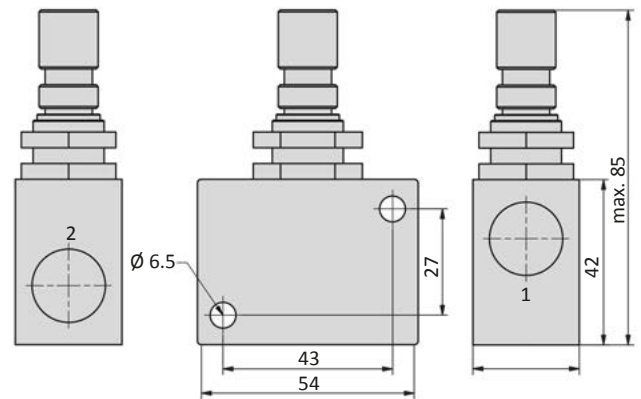
DR valves



DR-xx
flow control valve

Technical data

Model-no.:	DR-25	DR-18	DR-14	DR-10
Connection	M5	G1/8	G1/4	G1/2
Nominal size 1-2 (mm)	0.5 ... 1.5	0.5 ... 2	1 ... 5	1 ... 7
Nominal size 2-1 (mm)	2.5	4.5	7.5	11
Flow rate 1-2 (NI/min)	5 ... 40	5 ... 90	50 ... 600	50 ... 600
Flow rate 2-1 (NI/min)	120	480	1300	1400
Operating pressure (bar)	0.5 ... 10	0.5 ... 10	0.5 ... 10	2 ... 10
Weight (kg)	0.034	0.040	0.098	0.215

Dimensions
DR-25

DR-18

DR-14

DR-10


- 1 = inlet
- 2 = outlet