

# TYPE 39

G

S

R<sup>®</sup>



2/2-Way Solenoid valve  
NC - Valve non energized closed (Standard)

Force-pilot operated solenoid valve with plastic housing  
Valve closed by spring power (Standard - NC)

■ Solenoid valve for air & water, neutral and clean

## TECHNICAL SPECIFICATIONS

Type of control	Force-pilot, no differential pressure necessary	
Design	Diaphragm	
Connection	Threaded G1/2 and G3/4 acc. to DIN ISO 228 (BSP)	
Installation	Preferable with actuator upright	
Pressure range	0 - 6 bar	
Medium	Air, water, neutral and clean	
Viscosity	20 mm <sup>2</sup> /s	
Temperature range	Medium	0 °C up to +40 °C
	Ambient	0 °C up to +40 °C
Body material	PA66	
Metallic inner parts	Stainless steel	
Seal	NBR	
Supply voltage	Coil .012: AC~ 24V, 110V, 230V Coil .022: DC= 12V, 24V	
Voltage tolerance	-10% / +10%	
Power consumption	.012 = 18,5 Watt .022 = 35/6 Watt (with PWM power reduction)	
Protection class	IP65 acc. to DIN EN 60529	
Duty factor	100% ED-VDE 0580	
Connection type	Plug	

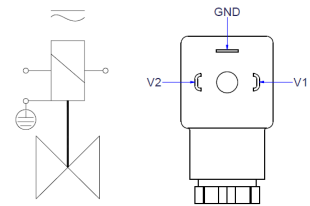
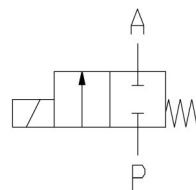
## VALVE FEATURES

- For elementary applications (water & air)
- No pressure difference necessary
- Simple and easy valve design
- Lightweight plastic housing

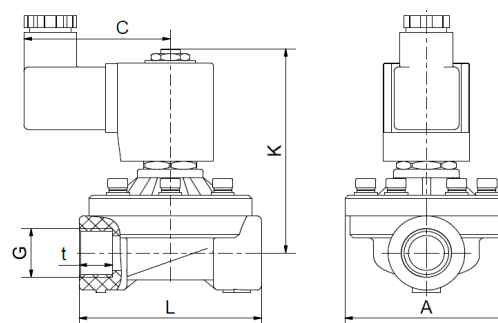
## FUNCTION

NC - non energized closed

Electr. connection



## DIMENSIONS



G	Orifice mm	Kv-value m <sup>3</sup> /h	Type	max. Pressure
1/2	15	3,0	.3923/3001/...	0 - 6 bar
3/4	20	4,0	.3924/3001/...	0 - 6 bar

Dimensions [mm]					
A	C	K	L	t	kg
68	61	88	76	14	0,52
68	61	90	80	15	0,54