



# Solenoid valve 3/2 way N.C. Direct acting - NSF Certified

31AP1A1R15-13T0

31AP1A1R30-13T0

## PRESENTATION:

Direct acting S.V. for interception of fluids compatible with the construction materials.

Minimum operational pressure is not required.

The materials used and the tests carried out ensure maximum reliability and duration.

USE: Vending

PIPES: G 1/8

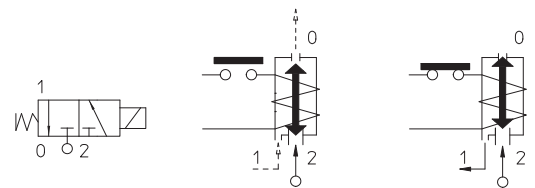
COIL: 8W - Ø 13  
 BDA - BSA 155°C (class F)  
 BDV 180°C (class H)

**COIL HOUSING AND COIL FORMER MATERIAL ARE MADE BY 100% VIRGIN MATERIAL.**

Ambient temperature:  
 See coils catalogue page for its compatibility.



| Gaskets | Temperature |         | Medium            |
|---------|-------------|---------|-------------------|
| R=RUBY  | - 40°C      | + 180°C | Water, air, steam |



Max allowable pressure (PS) 16 bar - According to EN 60730-2-8 - Factor of safety for domestic applications equal to 5 times PS

| Pipe<br>ISO 228/1 | Code            | Max viscosity |     | Ø<br>mm | Kv<br>l/mn | Power<br>watt | Pressure   |         |        |
|-------------------|-----------------|---------------|-----|---------|------------|---------------|------------|---------|--------|
|                   |                 | cSt           | °E  |         |            |               | min<br>bar | M.O.P.D |        |
|                   |                 |               |     |         |            |               |            | AC bar  | DC bar |
| G 1/8             | 31AP1A1R15-13T0 | 12            | ~ 2 | 1,5*    | 1,1        | 8             | 0          | 15      | 15     |
|                   | 31AP1A1R20-13T0 | 37            | ~ 5 | 2*      | 1,8        |               |            | 10      | 10     |
|                   | 31AP1A1R25-13T0 | 53            | ~ 7 | 2,5*    | 2,5        |               |            | 6       | 6      |
|                   | 31AP1A1R30-13T0 |               |     | 3*      | 3,4        |               |            | 5       | 5      |

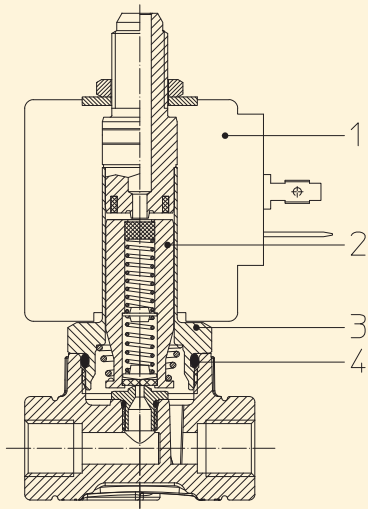
Max allowable pressure (PS) 25 bar - Safety factor for industrial application equal to 3 times PS

| Pipe<br>ISO 228/1 | Code            | Max viscosity |     | Ø<br>mm | Kv<br>l/mn | Power<br>watt | Pressure   |         |        |
|-------------------|-----------------|---------------|-----|---------|------------|---------------|------------|---------|--------|
|                   |                 | cSt           | °E  |         |            |               | min<br>bar | M.O.P.D |        |
|                   |                 |               |     |         |            |               |            | AC bar  | DC bar |
| G 1/8             | 31AP1A1R15-13T0 | 12            | ~ 2 | 1,5*    | 1,1        | 8             | 0          | 15      | 15     |
|                   | 31AP1A1R20-13T0 | 37            | ~ 5 | 2*      | 1,8        |               |            | 10      | 10     |
|                   | 31AP1A1R25-13T0 | 53            | ~ 7 | 2,5*    | 2,5        |               |            | 6       | 6      |
|                   | 31AP1A1R30-13T0 |               |     | 3*      | 3,4        |               |            | 5       | 5      |

### Note

\* 3rd way exhaust= Ø 2,5 mm | Max torque for fittings 1,5 Nm, coil nut assembly 2 Nm, armature tube 3 Nm | Evaluate tightening torque for tapered fittings | Use the seal fittings compatible with the material of the body | Available with coil EX nA; | The use of rigid sealings usually implies a slight leakage, limited within 2 cc/min at the pressure of 1 bar | For application with steam, please consult our Technical Service | Available on request and with minimum quantities.

The "ODE" reserves the right to carry out technical and aesthetic modifications without prior notification.



**MATERIALS:**

|                                |                                 |
|--------------------------------|---------------------------------|
| <b>Body</b>                    | PPS                             |
| <b>Armature tube</b>           | Stainless steel AISI series 300 |
| <b>Fixed core</b>              | Stainless steel AISI series 400 |
| <b>Plunger</b>                 | Stainless steel AISI series 400 |
| <b>Phase displacement ring</b> | Gold plated copper              |
| <b>Spring</b>                  | Stainless steel AISI series 300 |
| <b>Seal</b>                    | R=RUBY                          |
| <b>Orifice: Inserted slot</b>  | Stainless steel series 300      |

**On request:**

|                             |               |
|-----------------------------|---------------|
| <b>Connector</b>            | Pg 9 or Pg 11 |
| <b>Connector conformity</b> | ISO 4400      |

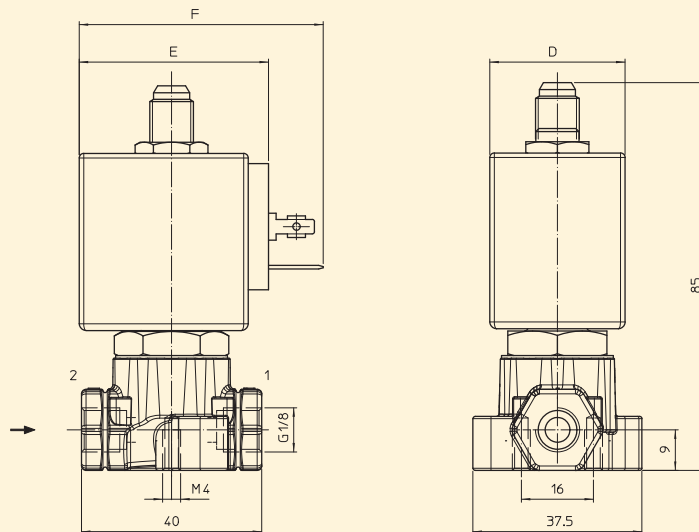
**FEATURES:**

|                              |  |
|------------------------------|--|
| <b>Electrical conformity</b> | IEC 335  |
| <b>Protection degree</b>     | IP 65 EN 60529 (DIN 40050)<br>with coil fitted by connector. |

**SPARE PARTS:**

- 1. Coil:**  
See coils list
- 2. Complete plunger:**  
Code R453258/RVX
- 3. Complete armature tube:**  
Code R451830/D
- 4. Gasket O-Ring:**  
Code R990000/VX

**DIMENSIONS:**



| COIL TYPE | POWER ABSORPTION |              |                | DIMENSIONS |         |         |
|-----------|------------------|--------------|----------------|------------|---------|---------|
|           | W<br>---         | Hold<br>VA ~ | Inrush<br>VA ~ | D<br>mm    | E<br>mm | F<br>mm |
| B         | 8                | 14,5         | 25             | 30         | 42      | 54      |